

Service
Service
Service



Service Manual



CONTENTS

Technical specification	1-2	MCU board	
Service measurement setup.....	1-3	Circuit diagram	8-1
Service aids	1-4	Layout diagram.....	8-2..8-3
Instructions on CD playability	2-1..2-2	CD Board	
Disassembly diagram.....	3-1..3-2	Circuit diagram.....	9-1
Block diagram.....	4-1	Layout diagram.....	9-2..9-3
Wiring diagram	4-2	Sub Power Board	
Main board		Circuit diagram.....	10-1
Circuit diagram	5-1..5-2	Layout diagram.....	10-1
Layout diagram.....	5-3..5-4	Sub AMP Board	
AMP board		Circuit diagram.....	11-1
Circuit diagram	6-1	Layout diagram.....	11-2
Layout diagram.....	6-2..6-3	Sub SW Board	
Front board		Layout diagram.....	12-1
Circuit diagram	7-1	Exploded view diagram	13-1
Layout diagram.....	7-2..7-3	Mechanical parts list.....	13-2..13-3
		Electrical parts list.....	14-1..14-3



© Copyright 2009 Philips Consumer Electronics B.V. Eindhoven, The Netherlands
All rights reserved. No part of this publication may be reproduced, stored in a retrieval system or transmitted, in any form or by any means, electronic, mechanical, photocopying, or otherwise without the prior permission of Philips.

Published by LX 0926 Service Audio Subject to modification

3141 785 32991

Version 1.1



PHILIPS

TECHNICAL SPECIFICATION

AMPLIFIER

RMS output power	
Total output power	800 W RMS
Signal-to-noise ratio	67 dB A (IEC)
Frequency response	60 – 16000 Hz
Input sensitivity	
AUX	1500mV/2000mV
Output	
Speakers	3 Ω
(1) (3 Ω , 1 kHz, 10%THD)	

CD/MP3-CD PLAYER

Number of programmable tracks	40
Frequency response	60 – 16000 Hz -3dB
Signal-to-noise ratio	75 dB A
Channel separation	50 dB (1 kHz)
Total harmonic distortion	< 1.5%
MPEG 1 Layer 3 (MP3-CD)	MPEG AUDIO
MP3-CD bit rate	32-256 kbps
	(128 kbps advised)
Sampling frequencies	32, 44.1, 48 kHz

TUNER

FM wave range	87.5 – 108 MHz
AM wave range (9 kHz)	531 – 1602 kHz
AM wave range (10 kHz)	530 – 1700 kHz
Tuning grid	9/10 kHz
Number of presets	40
Antenna	
FM	75 Ω wire
AM	Loop antenna

USB PLAYER

USB	12Mb/s, V1.1
.....	support MP3 and WMA files
Number of albums/folders	maximum 99
Number of tracks/titles	maximum 999

FRONT SPEAKERS

System	4-way; double port bass reflex
Impedance	2 x 6 Ω
Woofer	2 x 5.25"
Tweeter	2 x 1.75"
Output power	2 x (100 W+ 100 W)
Dimensions (w x h x d) ..	225 x 430 x 275 (mm)
Weight	4.928 kg each

REAR SPEAKERS

System	full range satellite
Impedance	3 Ω
Speaker driver	4" + 4" (fake)
Frequency response	150Hz-16KHz
Output power	2 x 100 W
Dimensions (w x h x d)	142.5 x 345 x 171.3
Weight	2.1 kg each

SUBWOOFER

AC Power	110 – 127 / 220 – 240 V;
.....	50/60 Hz, Switchable
Power Consumption	
Active	100 W
Impedance	6 Ω
Subwoofer driver	8"
Output power	200 W
Dimensions (w x h x d)....	274 x 430 x 342.3 (mm)
Weight	11.2 kg

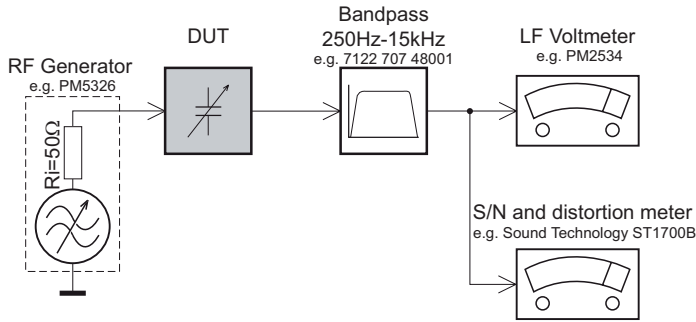
GENERAL

Material/finish	Polystyrene/Metal
AC Power (for the main unit)	
.....	110 – 127 / 220 – 240 V;
.....	50/60 Hz, Switchable
Power Consumption	
Active	90 W
Standby	\leq 20 W
Dimensions (w x h x d) ..	265 x 345 x 382 (mm)
Weight (without speakers)	8.671 kg

Specifications and external appearance are subject to change without notice.

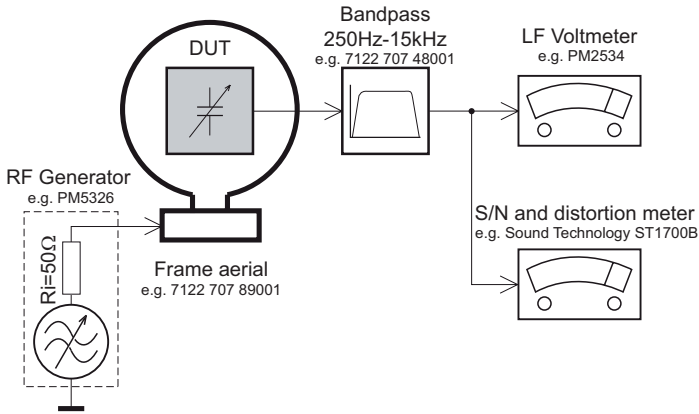
MEASUREMENT SETUP

Tuner FM



Use a bandpass filter to eliminate hum (50Hz, 100Hz) and disturbance from the pilotone (19kHz, 38kHz).

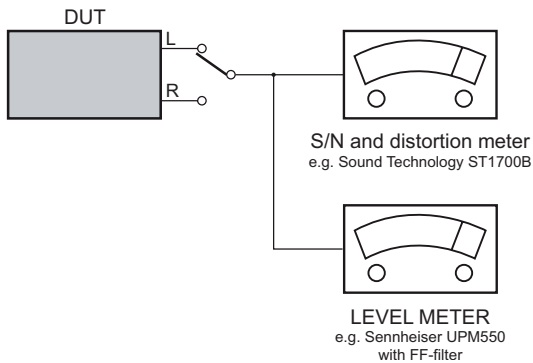
Tuner AM (MW,LW)



To avoid atmospheric interference all AM-measurements have to be carried out in a Faraday's cage. Use a bandpass filter (or at least a high pass filter with 250Hz) to eliminate hum (50Hz, 100Hz).

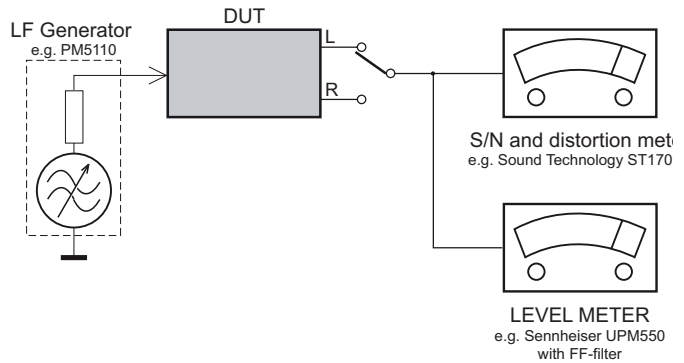
CD

Use Audio Signal Disc SBC429 4822 397 30184 (replaces test disc 3)



Recorder

Use Universal Test Cassette Cr02 SBC419 4822 397 30069 or Universal Test Cassette Fe SBC420 4822 397 30071



SERVICE AIDS

GB WARNING

All ICs and many other semi-conductors are susceptible to electrostatic discharges (ESD). Careless handling during repair can reduce life drastically.


When repairing, make sure that you are connected with the same potential as the mass of the set via a wrist wrap with resistance. Keep components and tools also at this potential.

ESD



GB

Safety regulations require that the set be restored to its original condition and that parts which are identical with those specified, be used

Safety components are marked by the symbol .

**CLASS 1
LASER PRODUCT**

INFORMATION ABOUT LEAD-FREE SOLDERING

Philips CE is producing lead-free sets from 1.1.2005 onwards.

IDENTIFICATION:

Regardless of special logo (not always indicated) one must treat all sets from 1 Jan 2005 onwards, according next rules:



- On our website www.atyourservice.ce.Philips.com you find more information to:
 - * BGA-de-/soldering (+ baking instructions)
 - * Heating-profiles of BGAs and other ICs used in Philips-sets
 - * Lead free

You will find this and more technical information within the "magazine", chapter "workshop news".

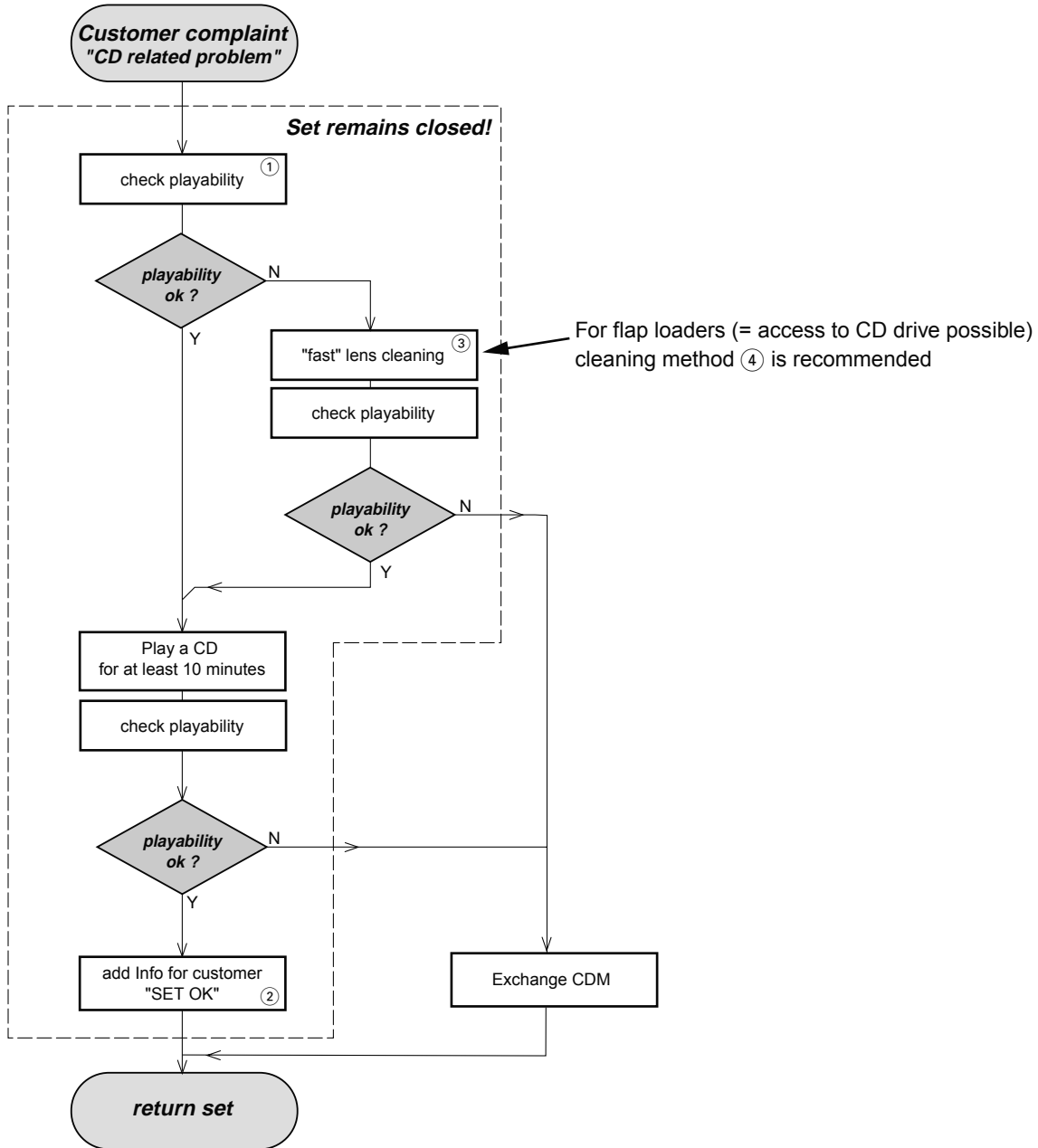
For additional questions please contact your local repair-helpdesk.

SERVICE INSTRUCTION

Safety regulations require that after a repair, the set must be returned in its original condition. Pay in particular attention to the following points:

- Route the wire trees correctly and fix them with the mounted cable clamps.
- Check the insulation of the AC Power lead for external damage.
- Check the strain relief of the AC Power cord for proper function.
- Check the electrical DC resistance between the AC Power Plug and the secondary side (only for sets which have a AC Power isolated power supply):
 1. Unplug the AC Power cord and connect a wire between the two pins of the AC Power plug.
 2. Set the AC Power switch to the "on" position (keep the AC Power cord unplugged!).
 3. Measure the resistance value between the pins of the AC Power plug and the metal shielding of the tuner or the aerial connection on the set. The reading should be larger than 4.5 Mohm (For U.S. it should be between 4.2 Mohm and 12 Mohm).
 4. Switch "off" the set, and remove the wire between the two pins of the AC Power plug.
- Check the cabinet for defects, to avoid touching of any inner parts by the customer.

INSTRUCTIONS ON CD PLAYABILITY



① - ④ For description - see following pages

INSTRUCTIONS ON CD PLAYABILITY

①

PLAYABILITY CHECK

For sets which are compatible with **CD-RW** discs
 use CD-RW Printed Audio Disc7104 099 96611
 TR 3 (Fingerprint)
 TR 8 (600µ Black dot) **maximum at 01:00**

- playback of these two tracks without audible disturbance
 playing time for: Fingerprint ≥ 10 seconds
 Black dot from 00:50 to 01:10
- jump forward/backward (search) within a reasonable time

For all other sets
 use CD-DA SBC 444A4822 397 30245
 TR 14 (600µ Black dot) **maximum at 01:15**
 TR 19 (Fingerprint)
 TR 10 (1000µ wedge)

- playback of all these tracks without audible disturbance
 playing time for: 1000µ wedge ≥ 10 seconds
 Fingerprint ≥ 10 seconds
 Black dot from 01:05 to 01:25
- jump forward/backward (search) within a reasonable time

②

CUSTOMER INFORMATION

It is proposed to add an addendum sheet to the set which informs the customer that the set has been checked carefully - but no fault was found.

The problem was obviously caused by a scratched, dirty or copy-protected CD. In case problems remain, the customer is requested to contact the workshop directly.

The lens cleaning (method ③) should be mentioned in the addendum sheet.

The final wording in national language as well as the printing is under responsibility of the Regional Service Organizations.

④

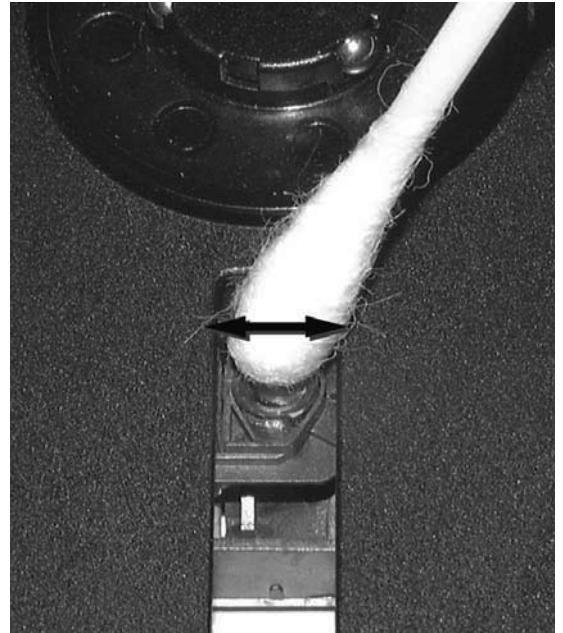
LIQUID LENS CLEANING

Before touching the lens it is advised to clean the surface of the lens by blowing clean air over it. This to avoid that little particles make scratches on the lens.

Because the material of the lens is synthetic and coated with a special anti-reflectivity layer, cleaning must be done with a non-aggressive cleaning fluid. It is advised to use "Cleaning Solvent"

The actuator is a very precise mechanical component and may not be damaged in order to guarantee its full function. Clean the lens gently (don't press too hard) with a soft and clean cotton bud moistened with the special lens cleaner.

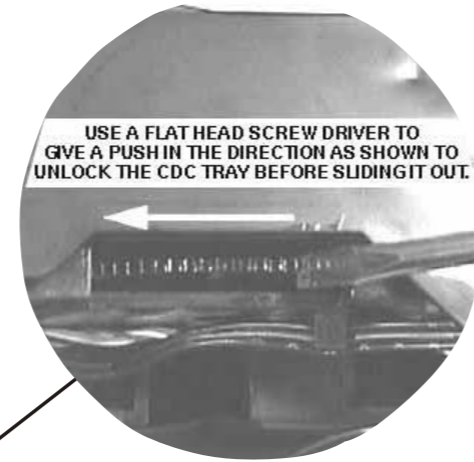
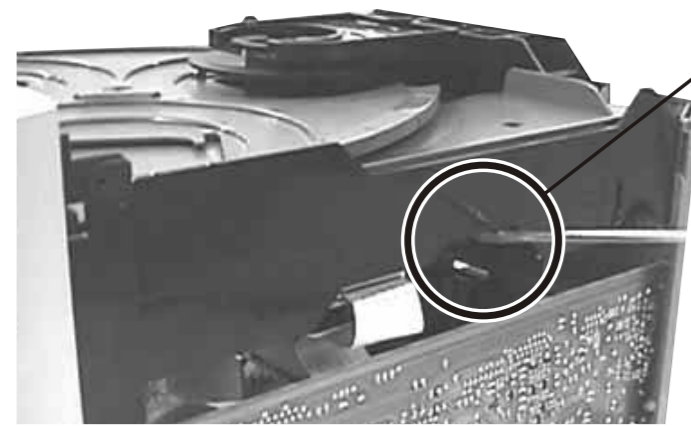
The direction of cleaning must be in the way as indicated in the picture below.



DISASSEMBLY DIAGRAM VIEW PART 1

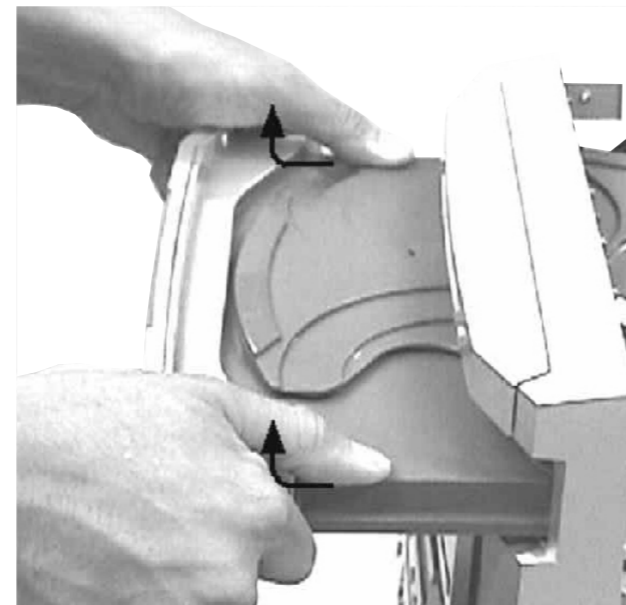
Dismantling of the CDC Module and Front Panel

- 1) Loosen 17 screws to remove the Cover Top of the set.
- 2) Slide out the CDC Tray as shown in the diagram below with the help of a flat head screw driver.



Sliding Out The CDC Tray

- 3) Remove the Cover Tray CDC as indicated.

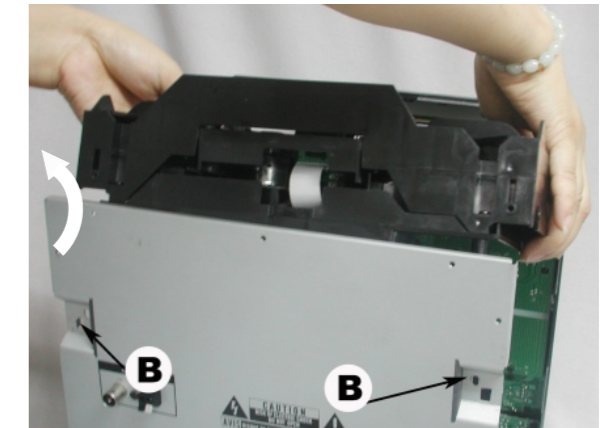


Remove Cover Tray CDC

- 4) Loosen 2 screws A and 2 screws B to remove the CDC Module as indicated.
- 5) Remove 2 screws at the bottom to separate the Front Panel Assembly from the Plate Bottom.



Front View CDC

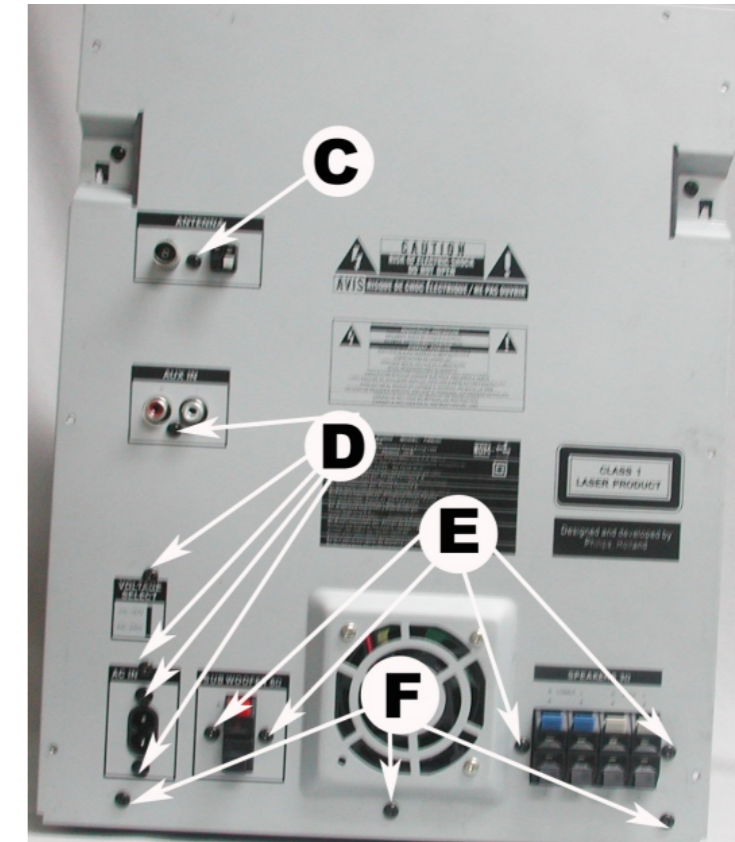
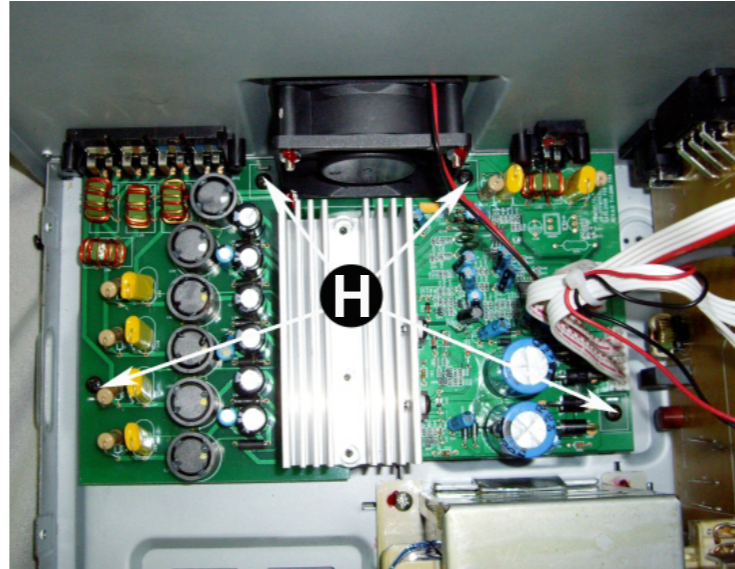
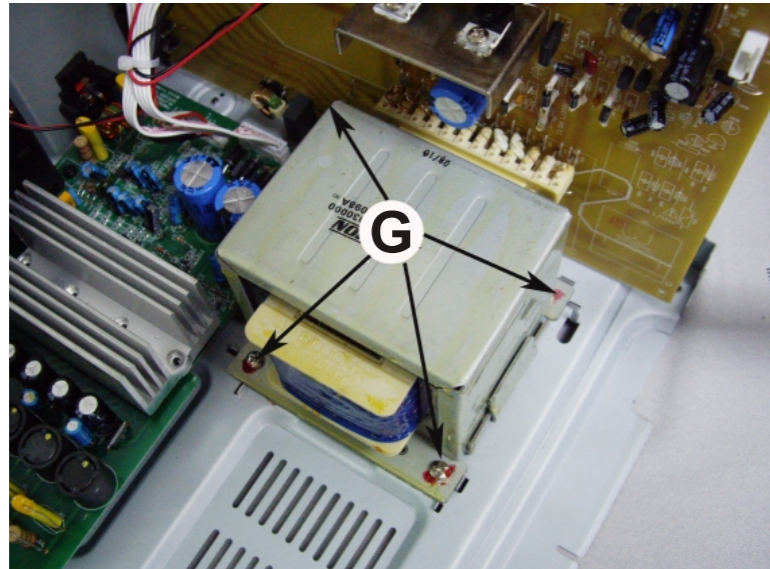


Remove CDC Module

DISASSEMBLY DIAGRAM VIEW PART 2

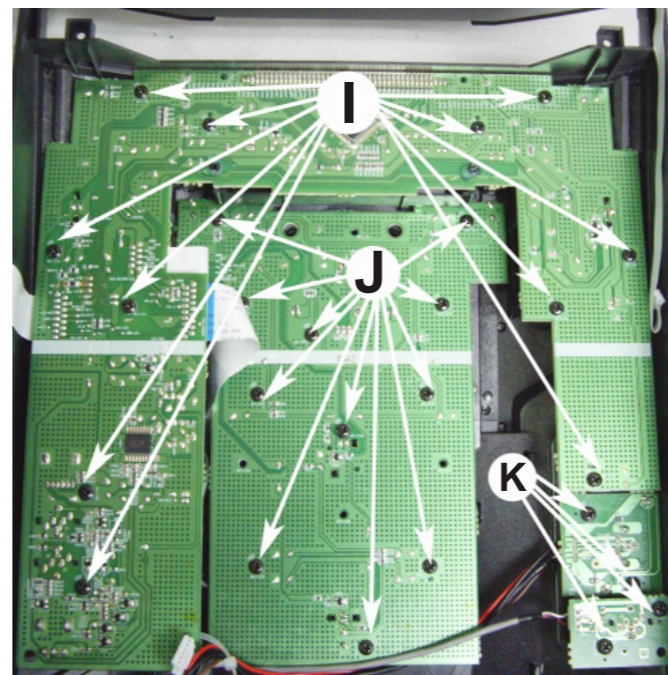
Dismantling of Rear Portion

- 1) Remove 1 screw C as indicated to loosen the Tuner Module
- 2) Remove 9 screws D&G as indicated to loosen the Main Board.
- 3) Remove 8 screws E&H as indicated to loosen the AMP Board.
- 4) Remove 3 screws F as indicated to loosen the Bottom Cabinet.

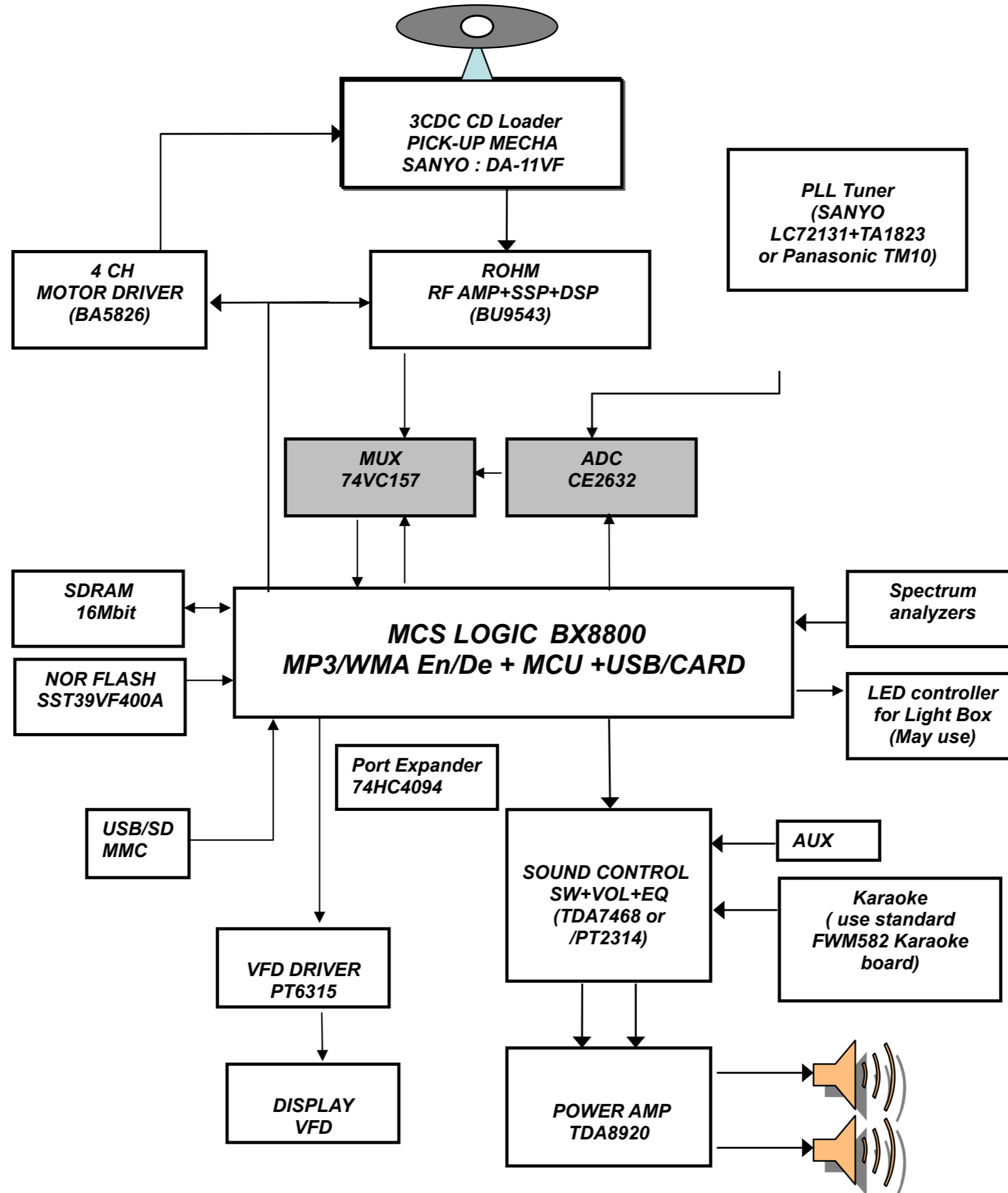


Dismantling of the PCB Board

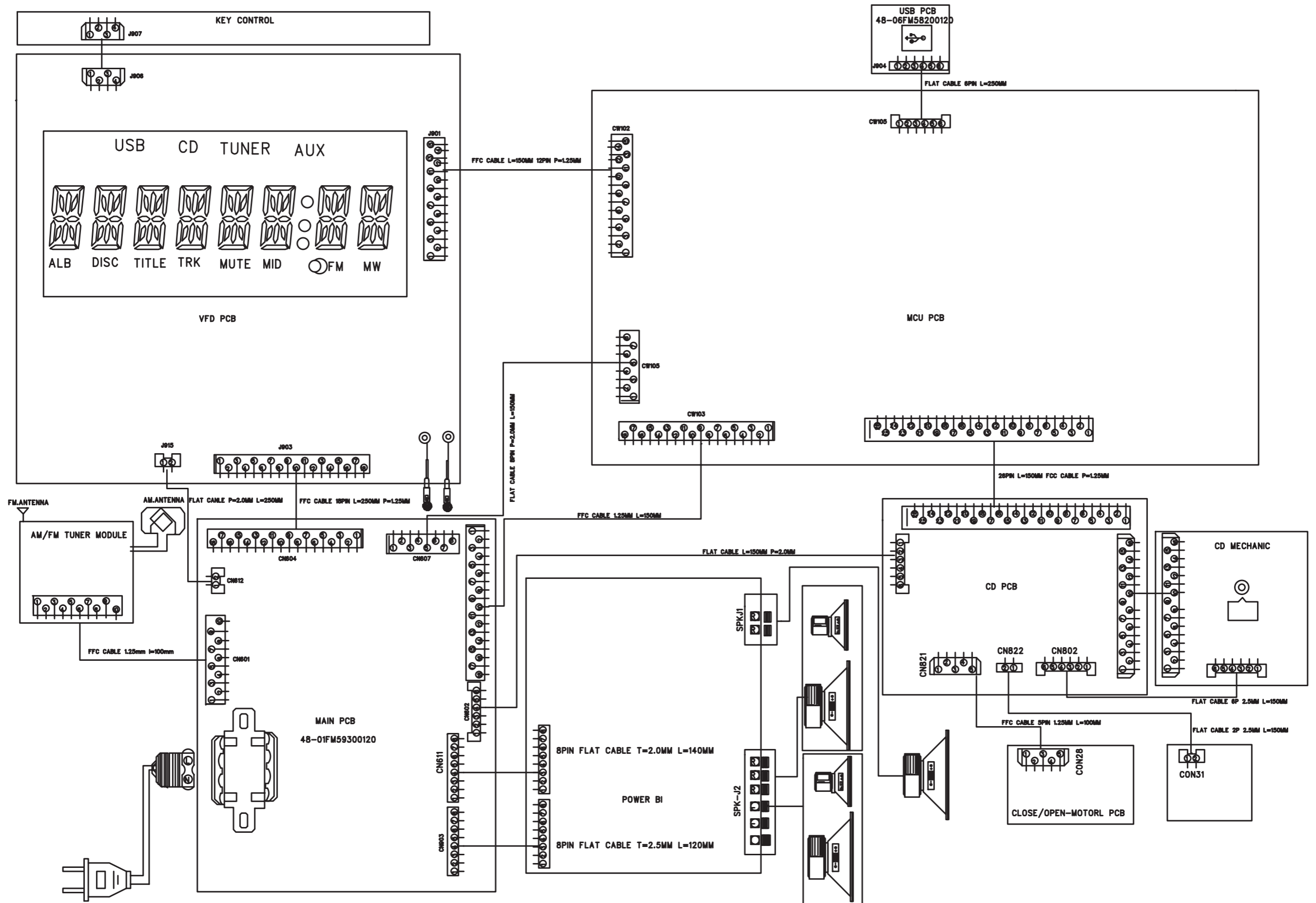
- 1) Remove 11 screws I as indicated to loosen the KEY1 Board.
- 2) Remove 11 screws J as indicated to loosen the KEY2 Board.
- 3) Remove 4 screws K as indicated to loosen the USB&LINE IN Board.



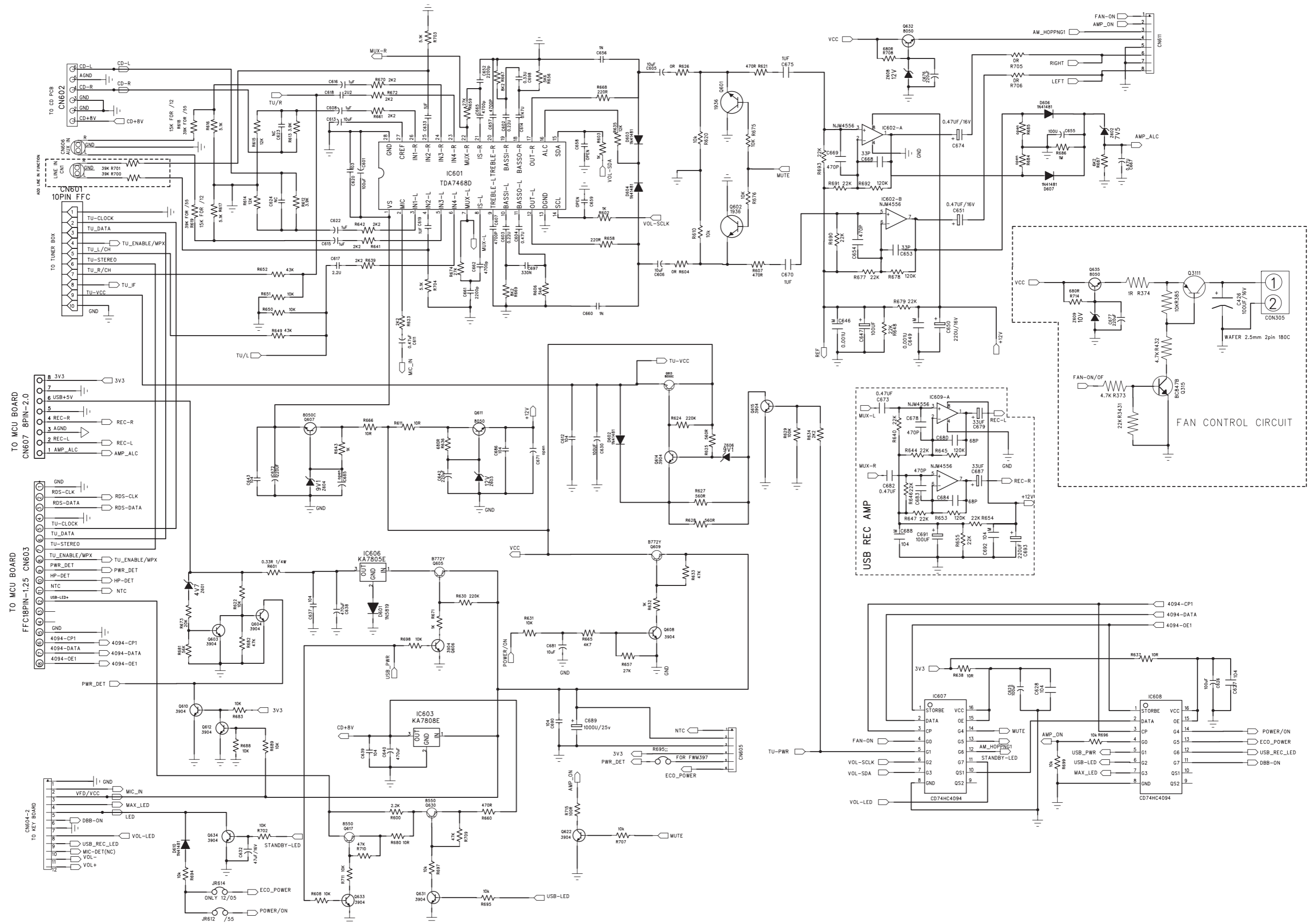
SET BLOCK DIAGRAM



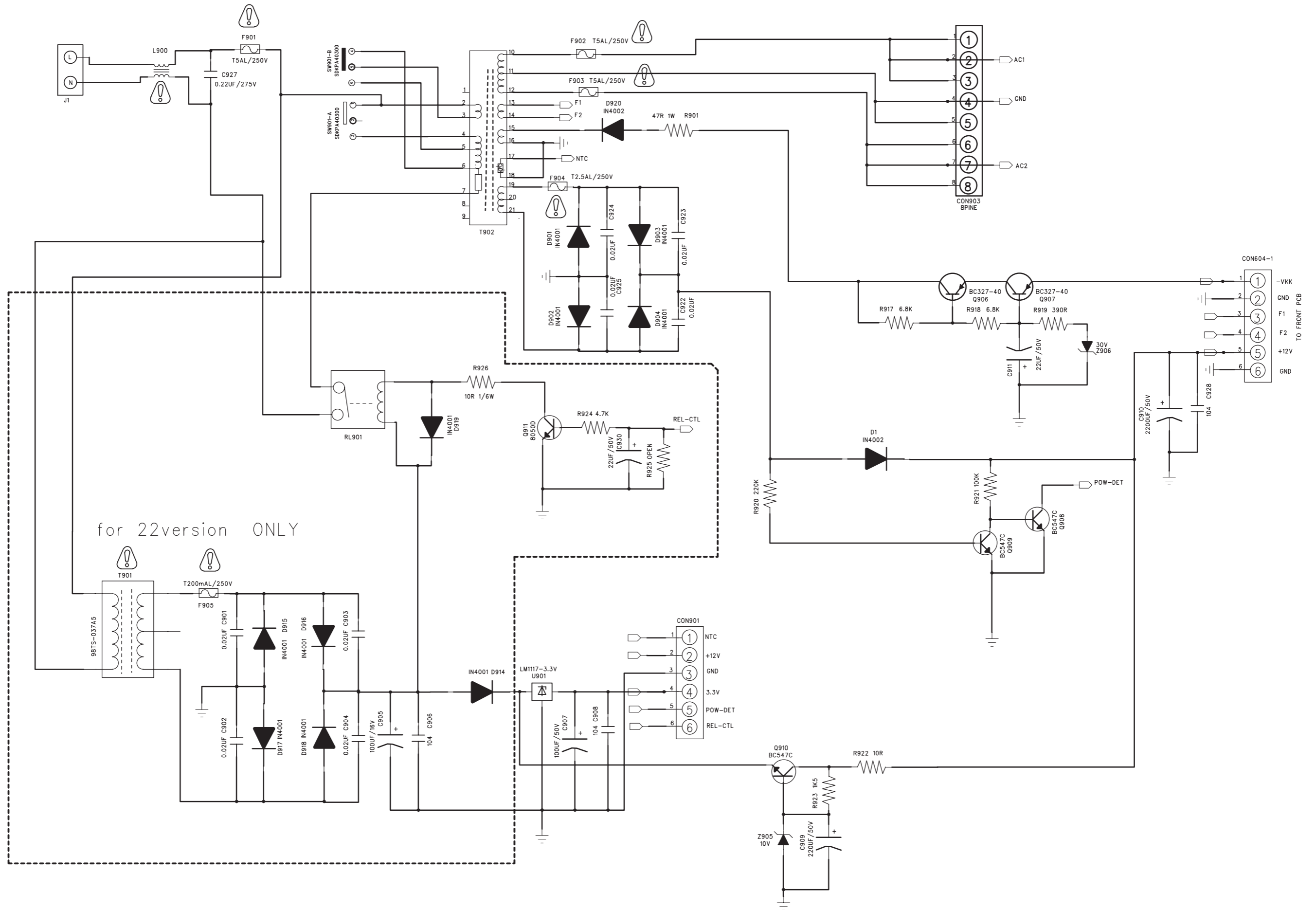
SET WIRING DIAGRAM



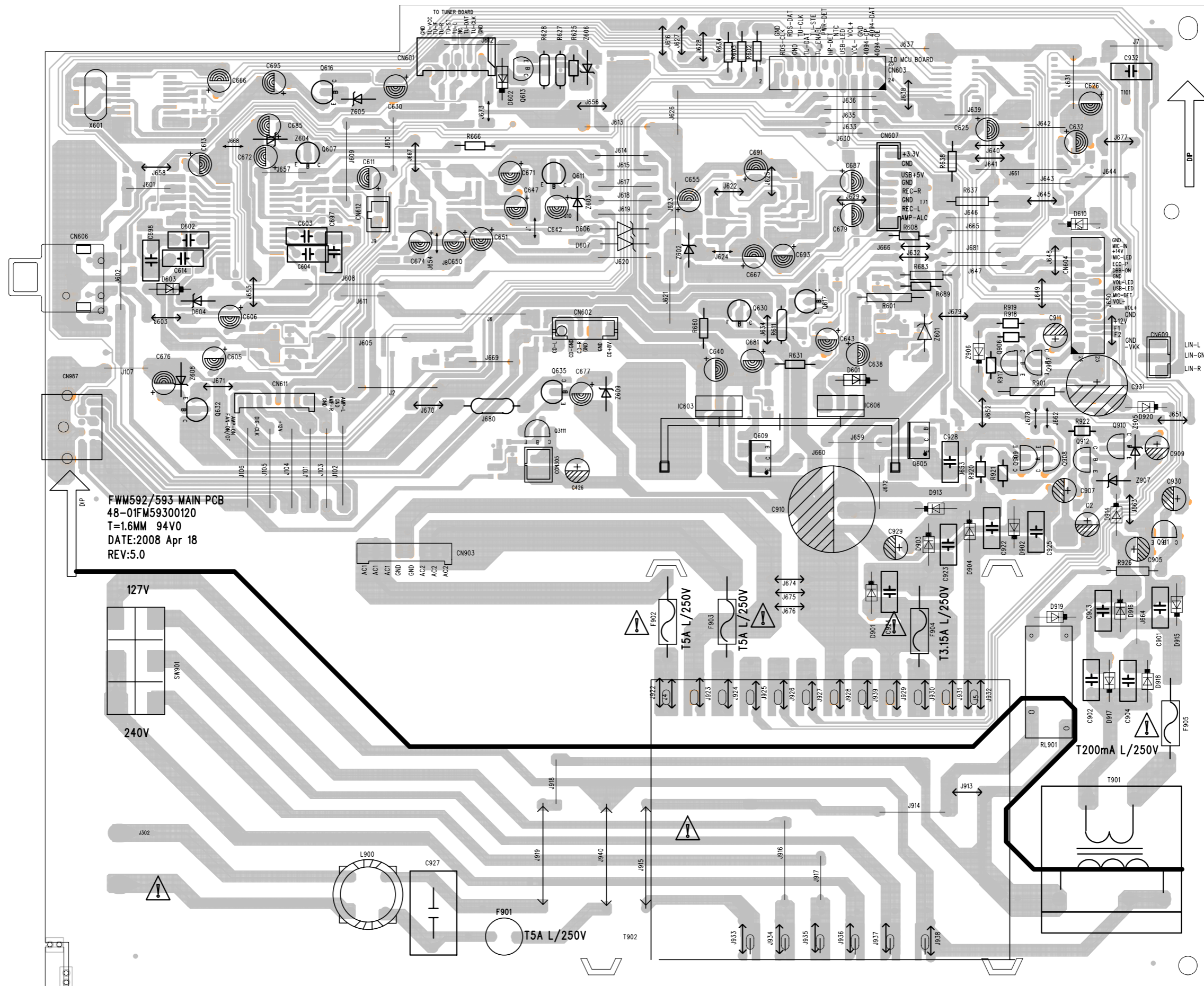
CIRCUIT DIAGRAM - MAIN BOARD PART 1



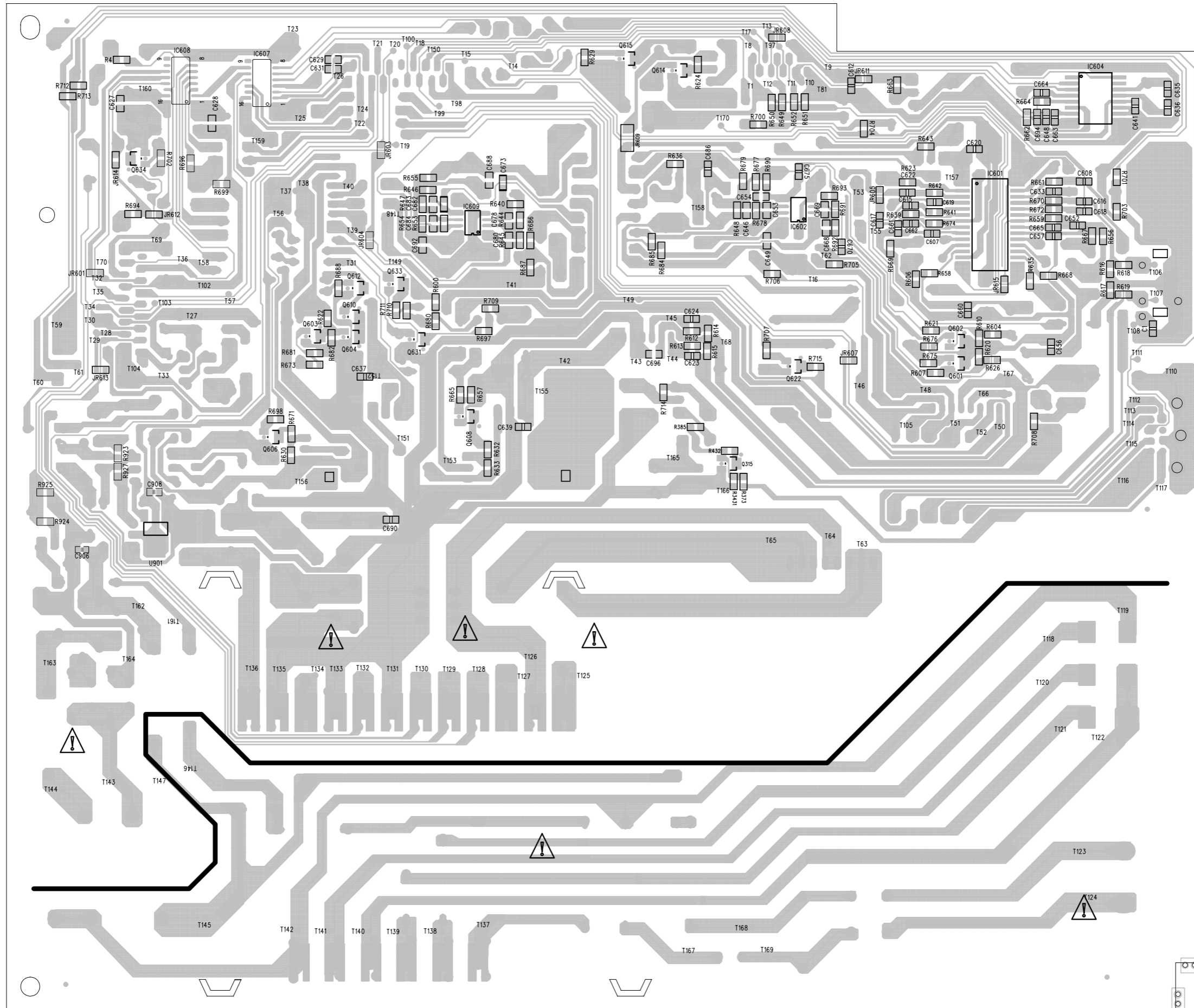
CIRCUIT DIAGRAM - MAIN BOARD PART 2



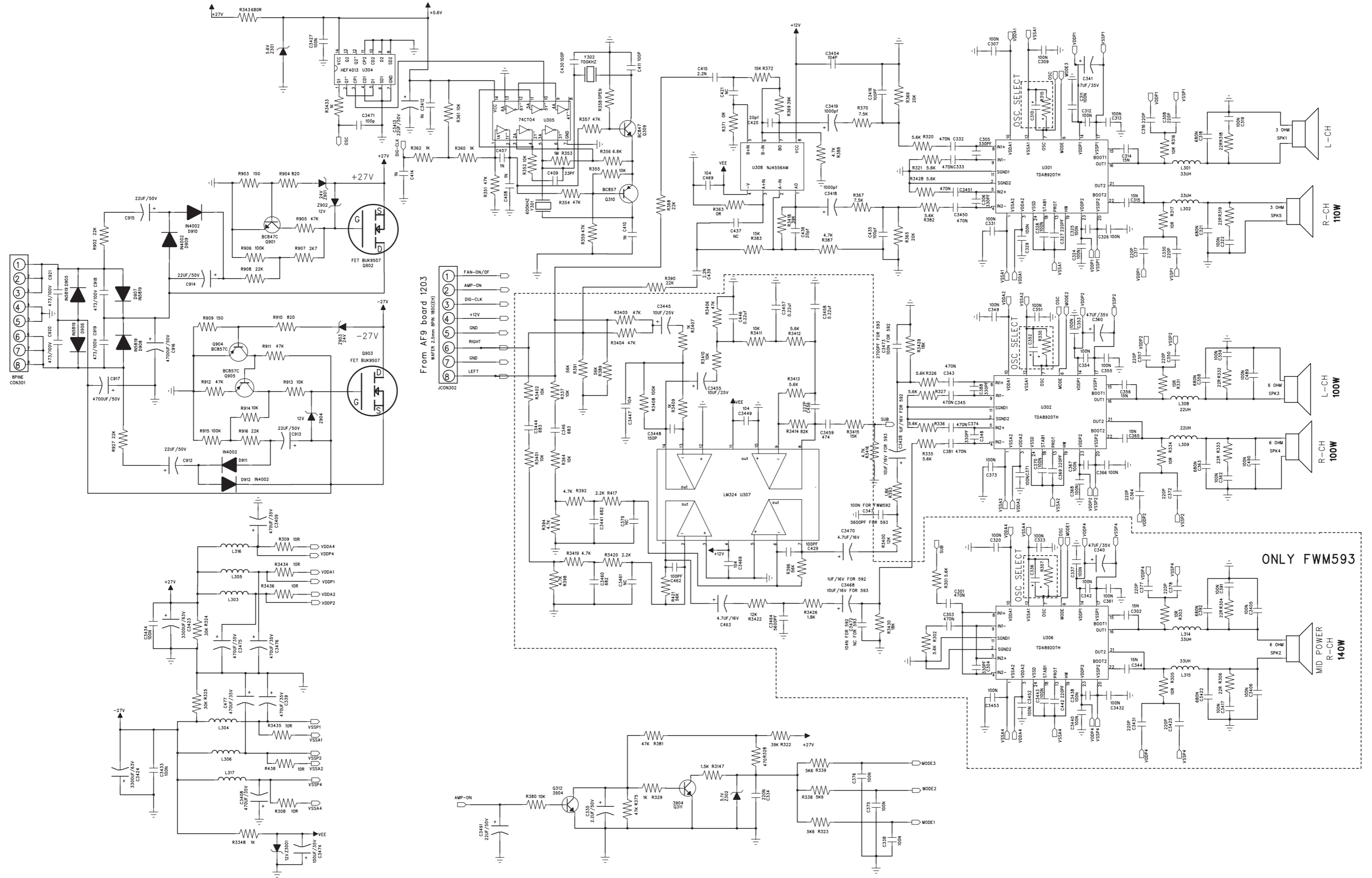
**LAYOUT DIAGRAM - MAIN BOARD
COMPONENT SIDE VIEW**



LAYOUT DIAGARM - MAIN BOARD
COPPER SIDE VIEW



CIRCUIT DIAGRAM - AMP BOARD



From AF9 board 1203
MAFEX 2.5mm BPN, BOC(EN)

ONLY FWM593

L-CH
3 OHM
SPK1

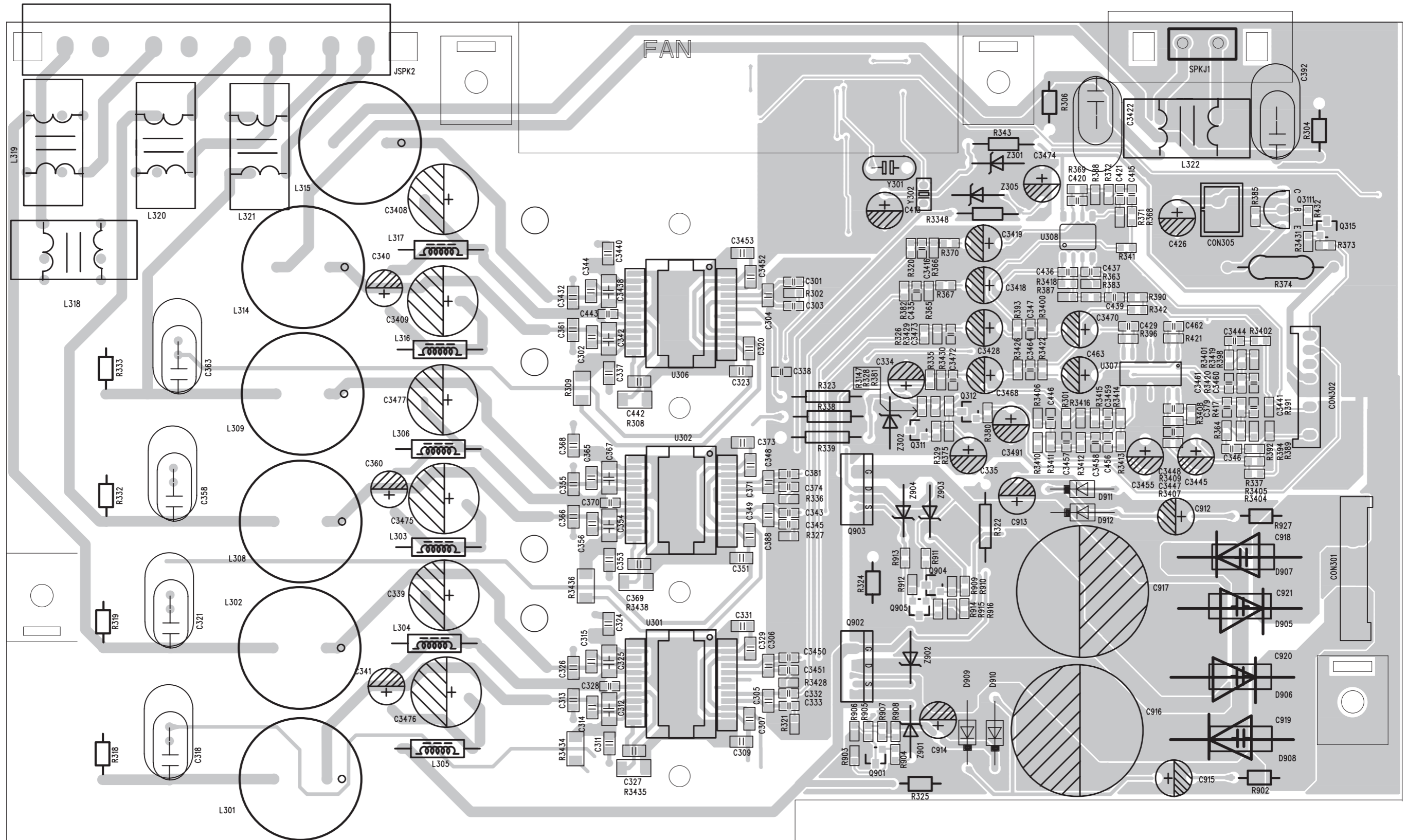
R-CH
3 OHM
SPK5

L-CH
6 OHM
SPK3

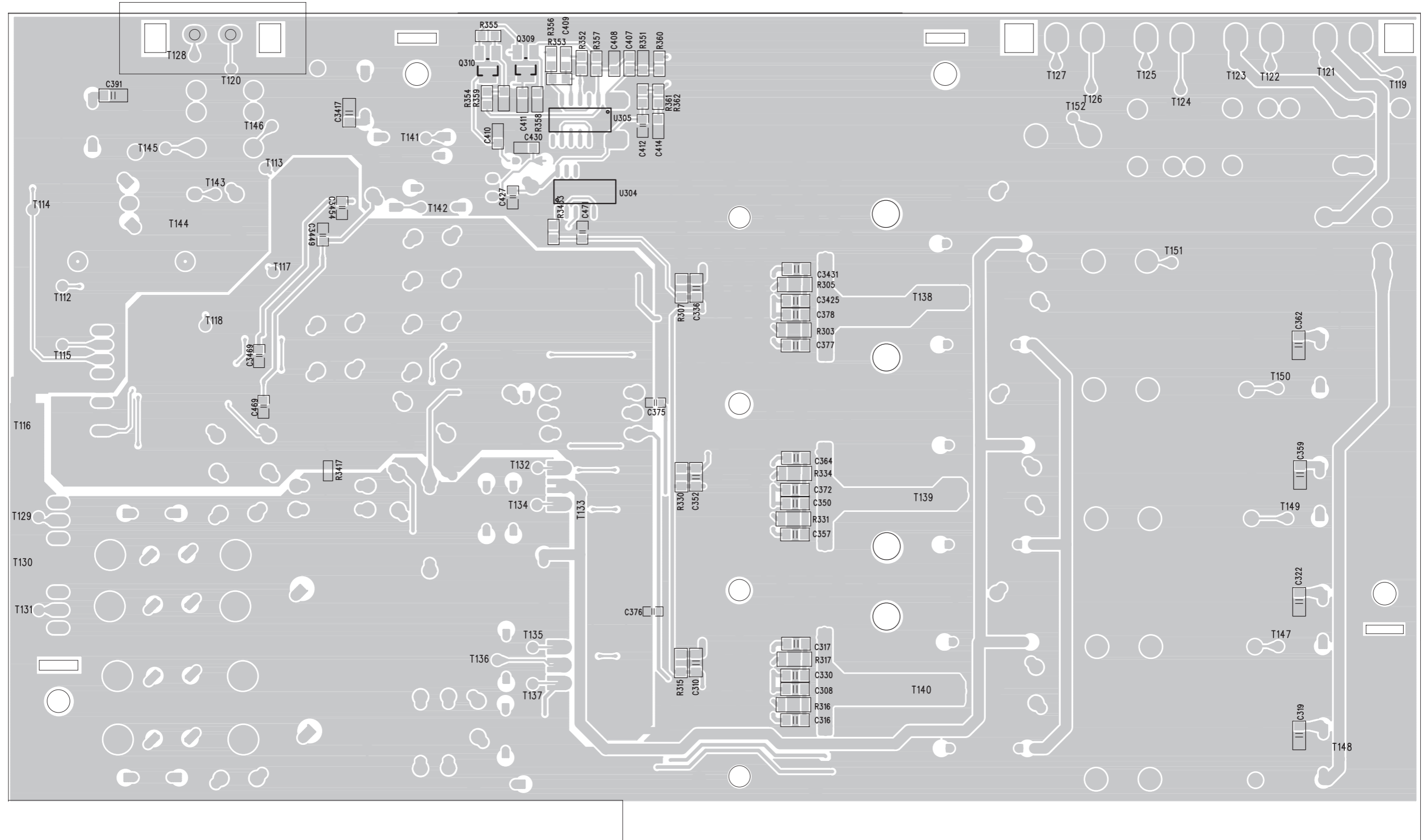
R-CH
6 OHM
SPK4

MID POWER
R-CH
6 OHM
SPK2

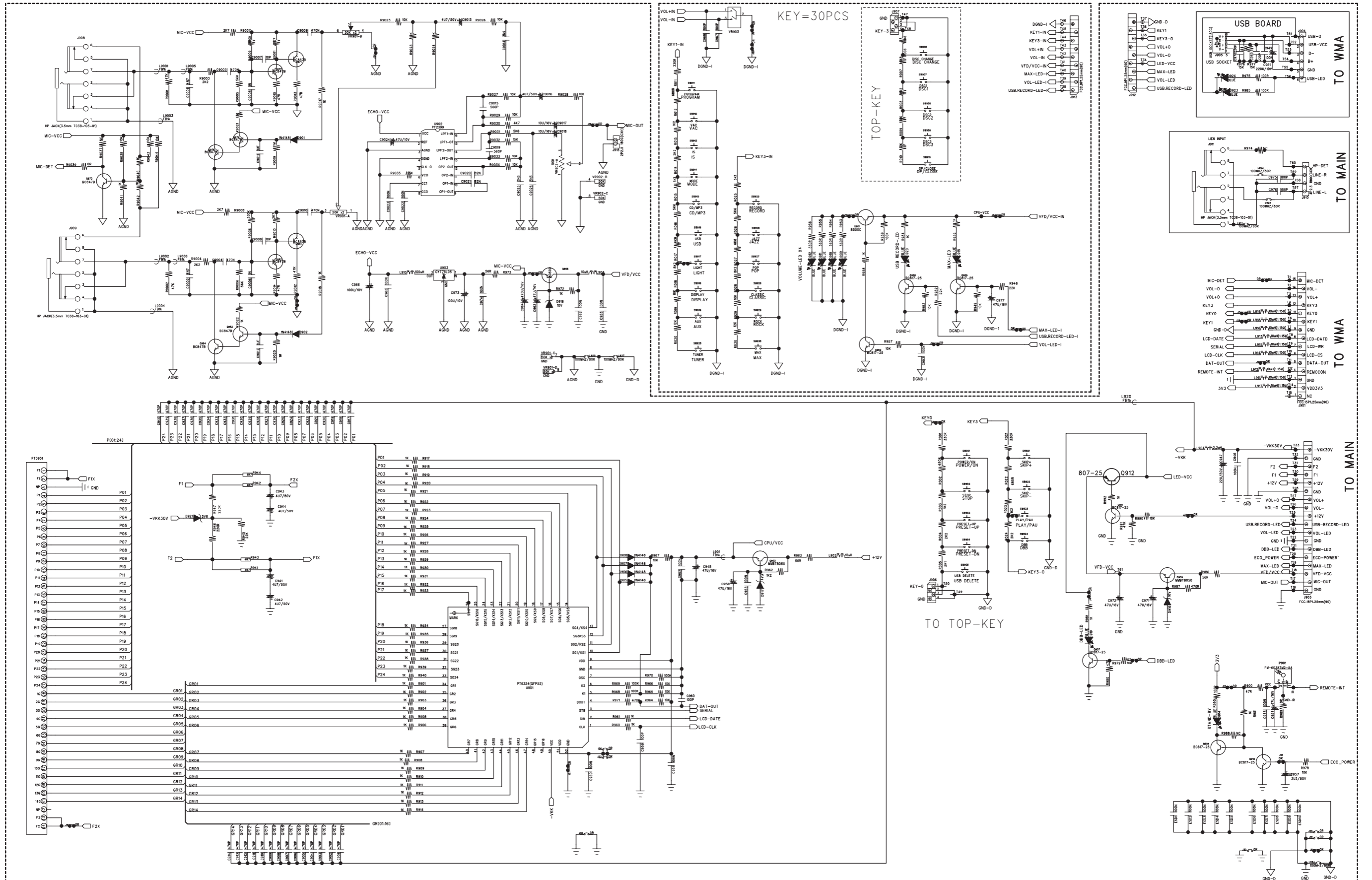
LAYOUT DIAGRAM - AMP BOARD COMPONENT SIDE VIEW



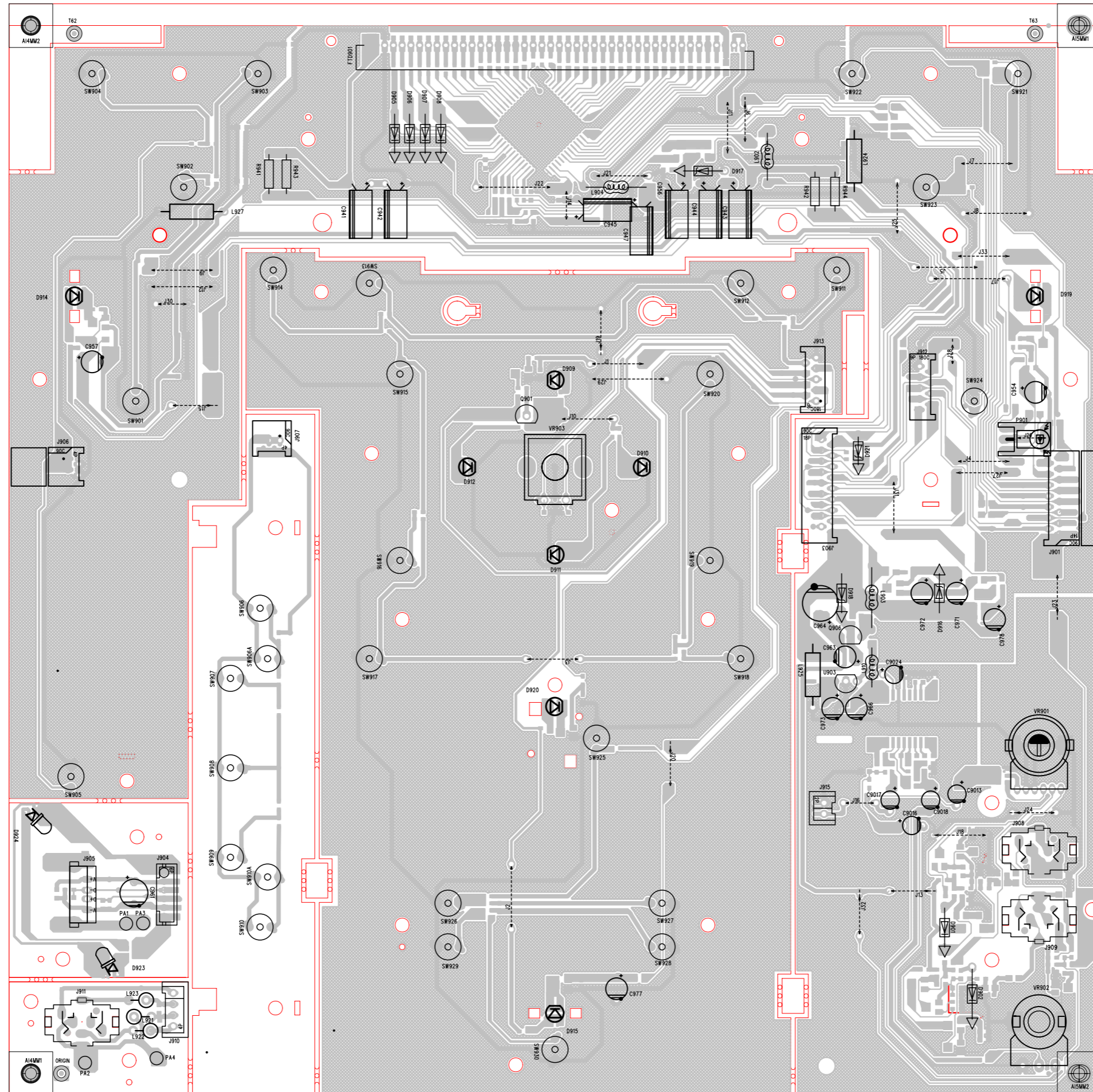
LAYOUT DIAGARM - AMP BOARD COPPER SIDE VIEW



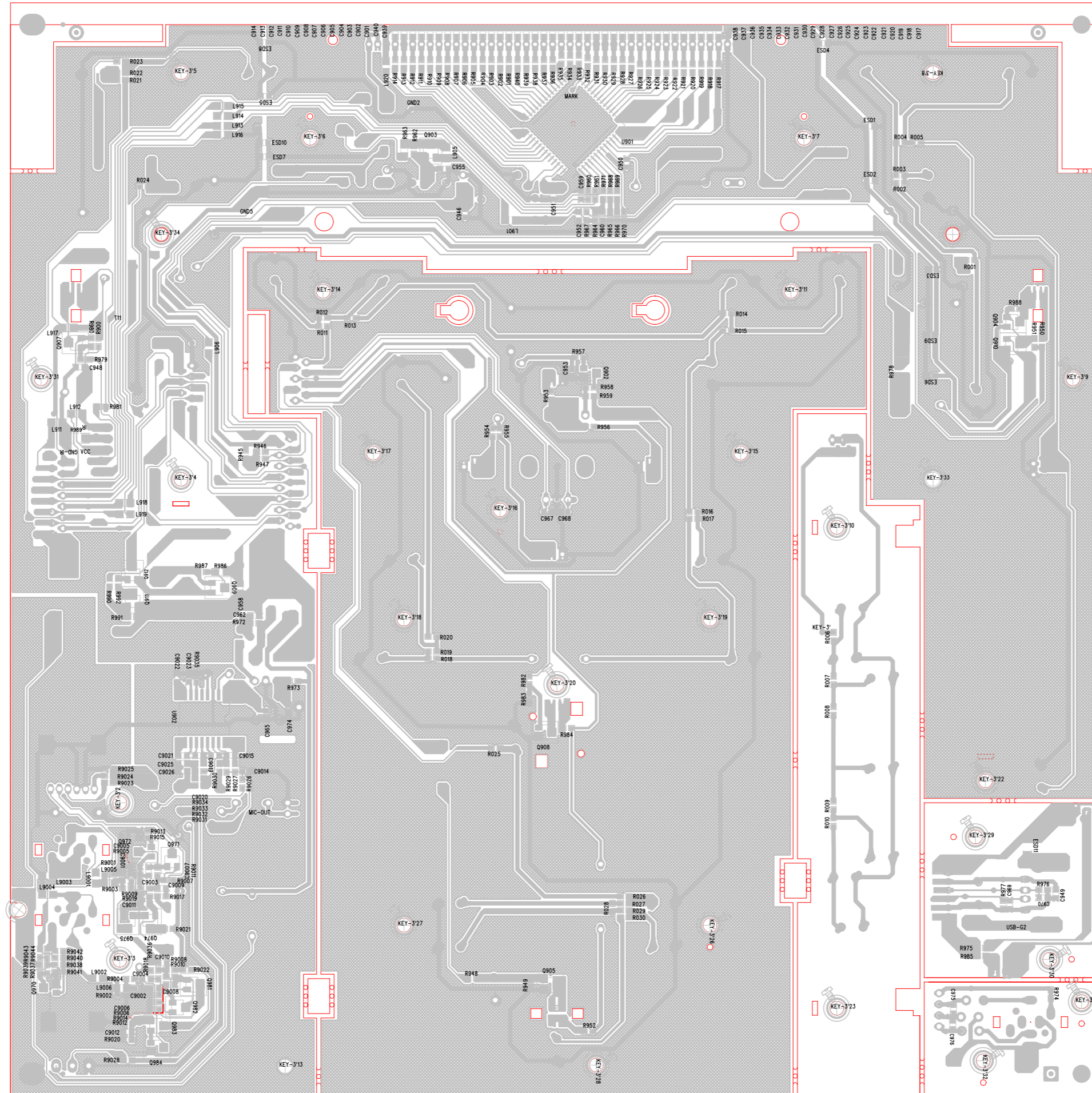
CIRCUIT DIAGRAM - FRONT BOARD



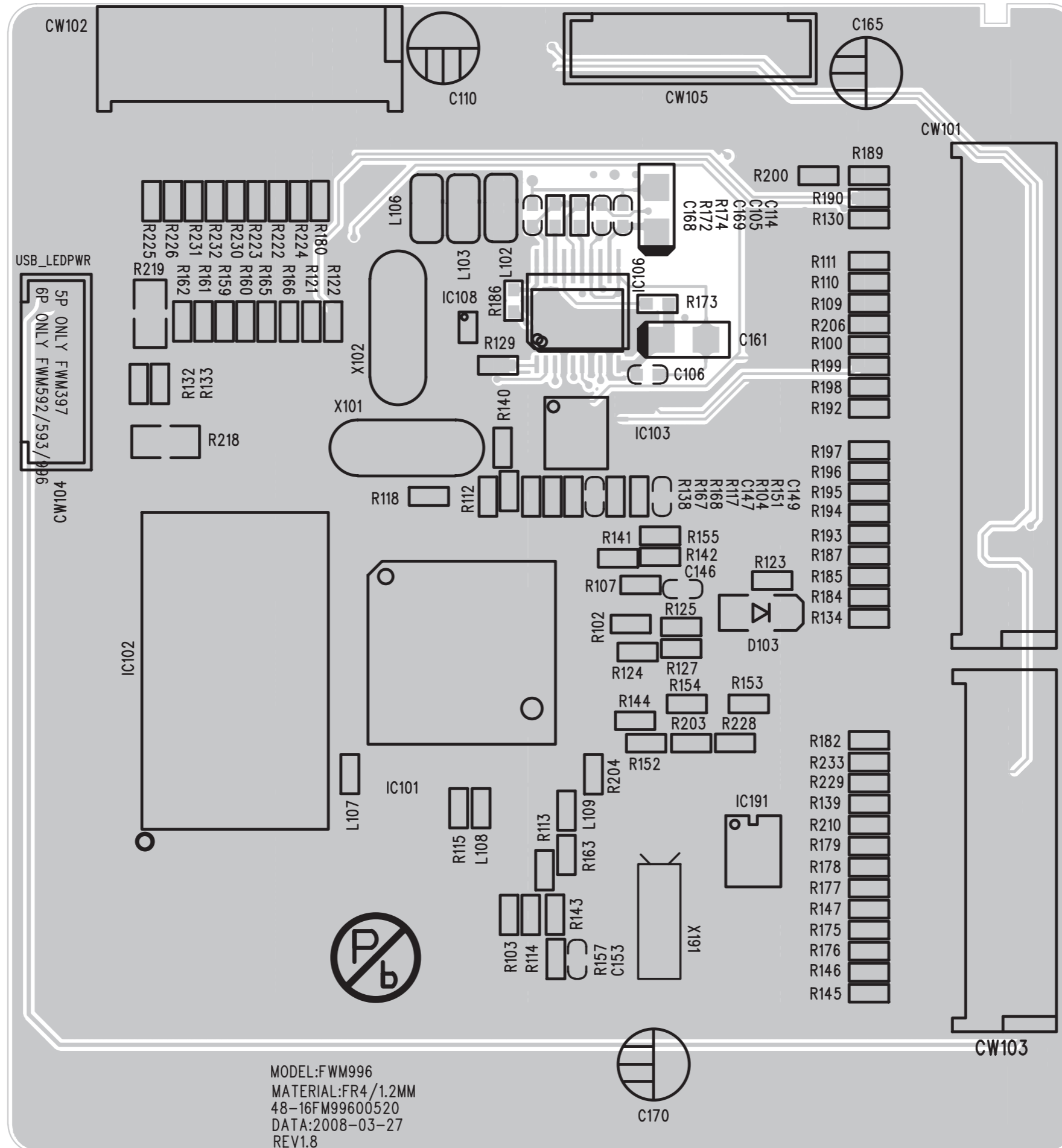
LAYOUT DIAGARM - FRONT BOARD COMPONENT SIDE VIEW



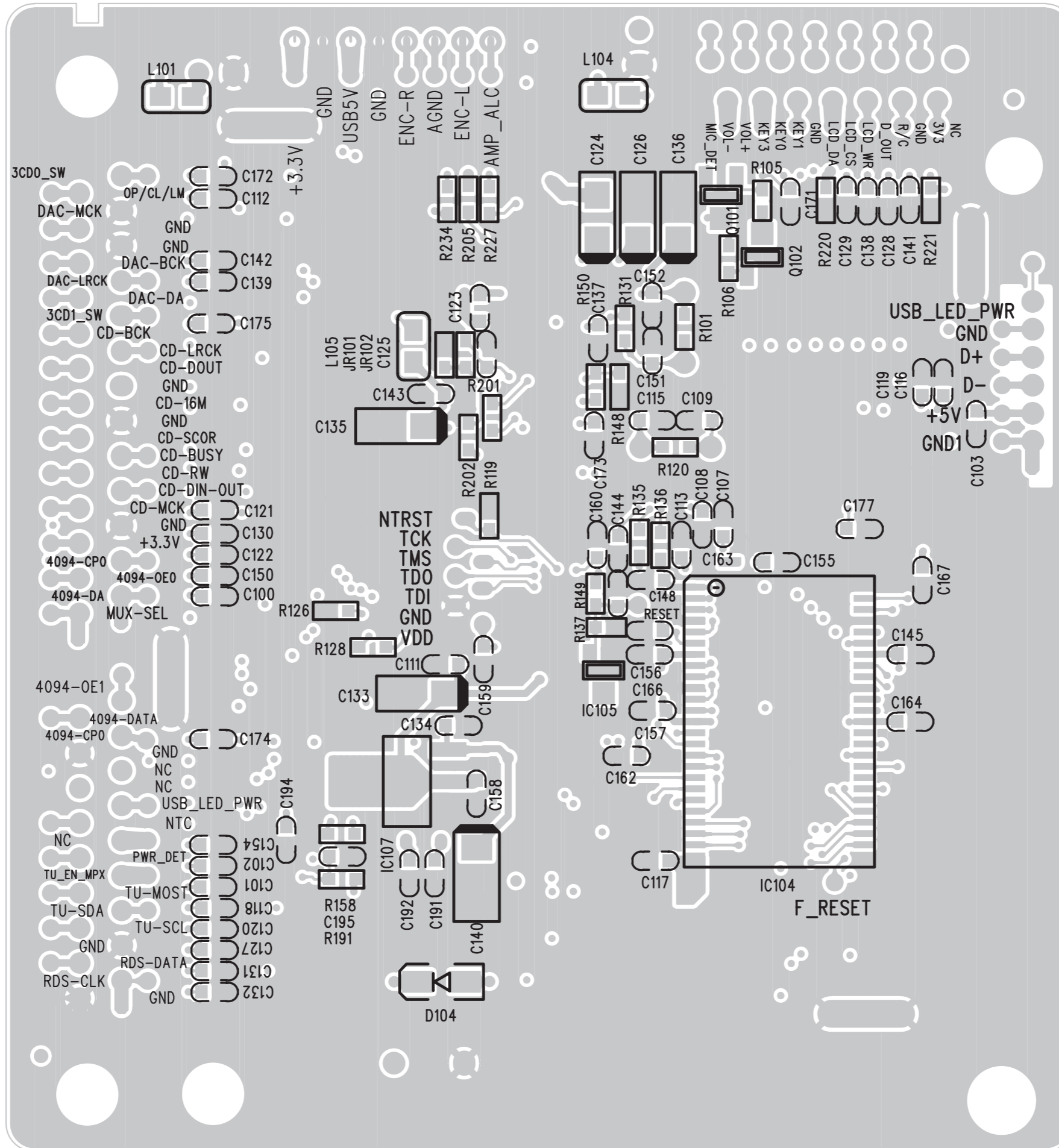
LAYOUT DIAGRAM - FRONT BOARD
COPPER SIDE VIEW



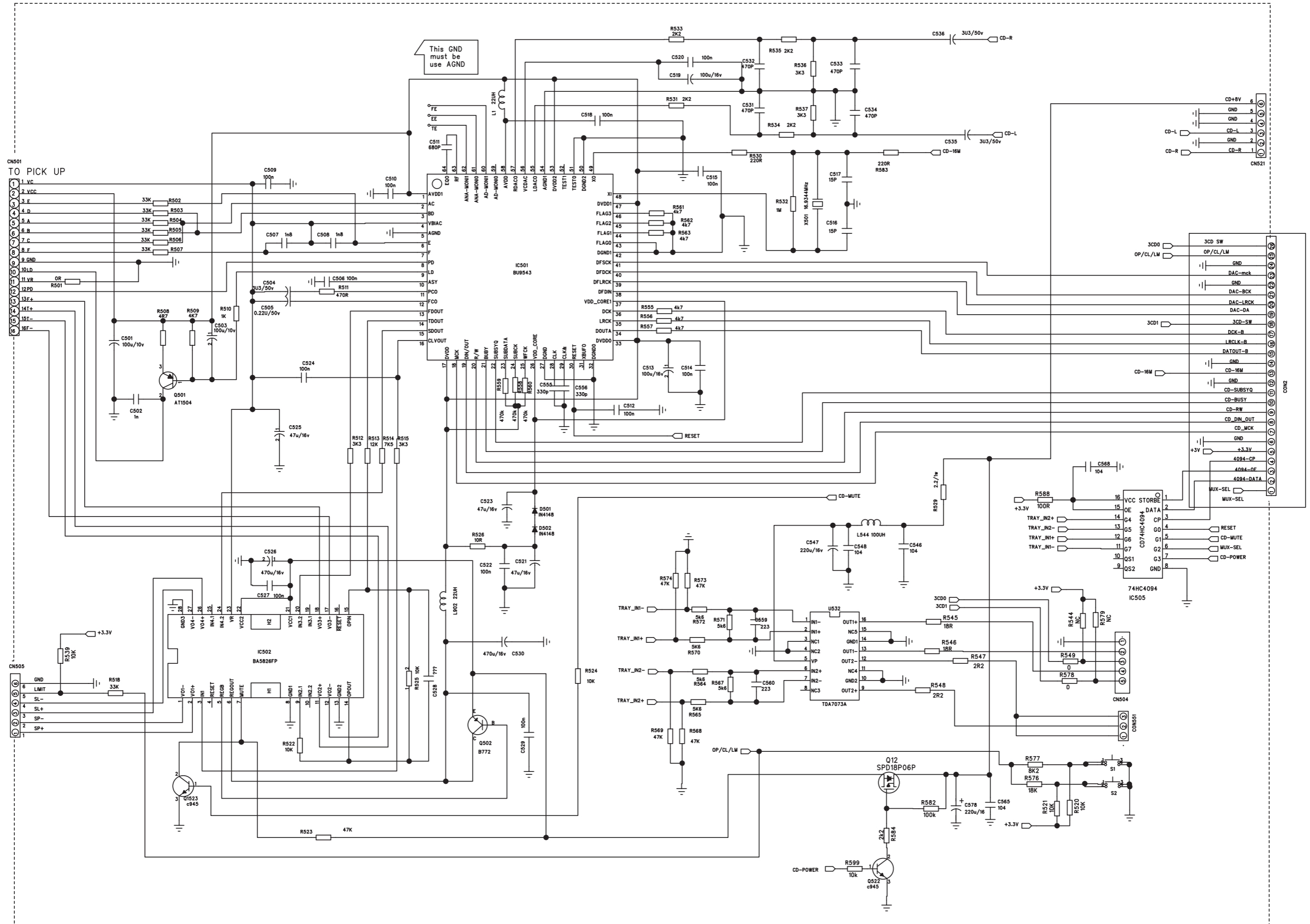
LAYOUT DIAGARM - MCU BOARD
COMPONENT SIDE VIEW



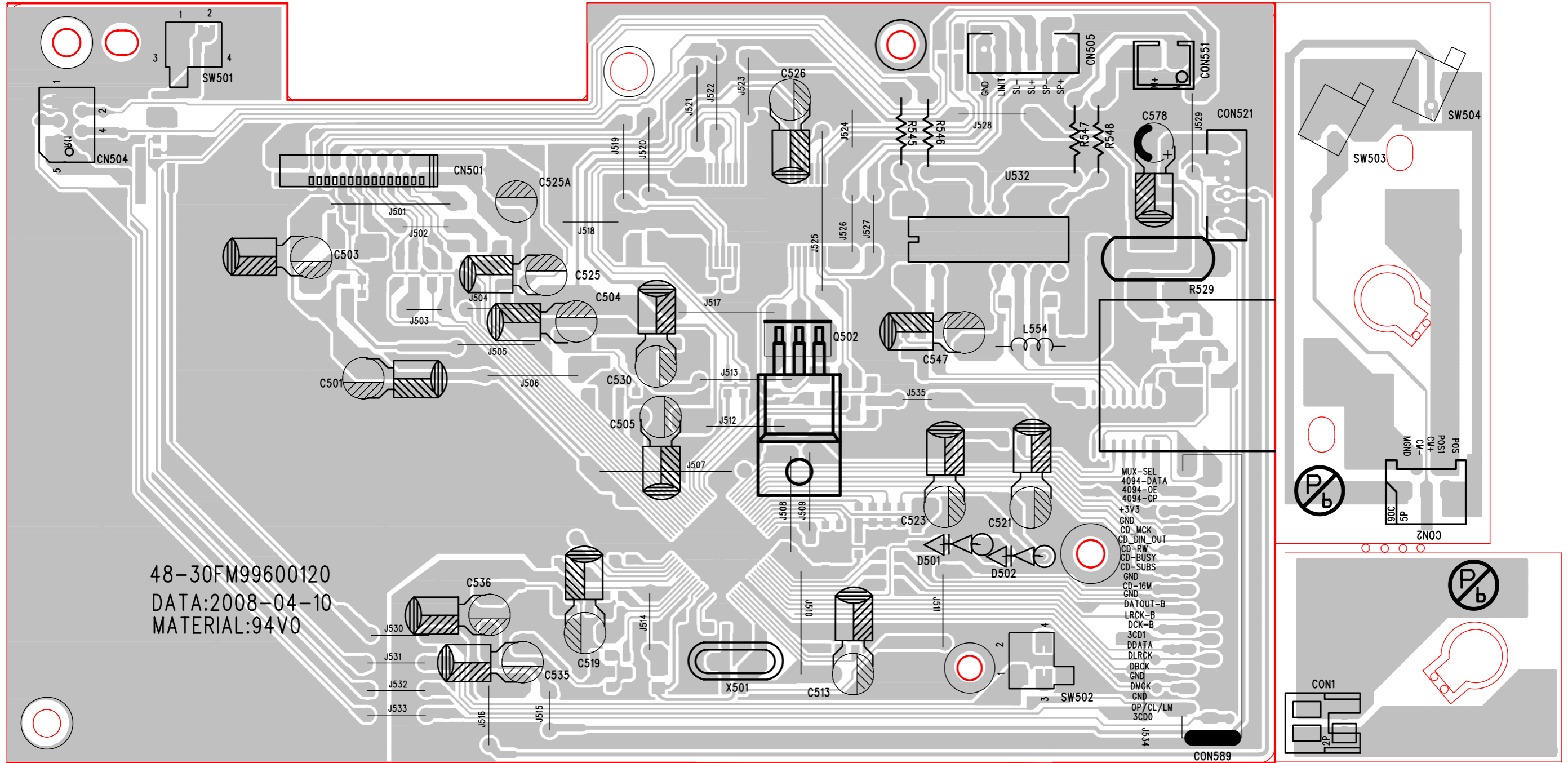
LAYOUT DIAGARM - MCU BOARD
COPPER SIDE VIEW



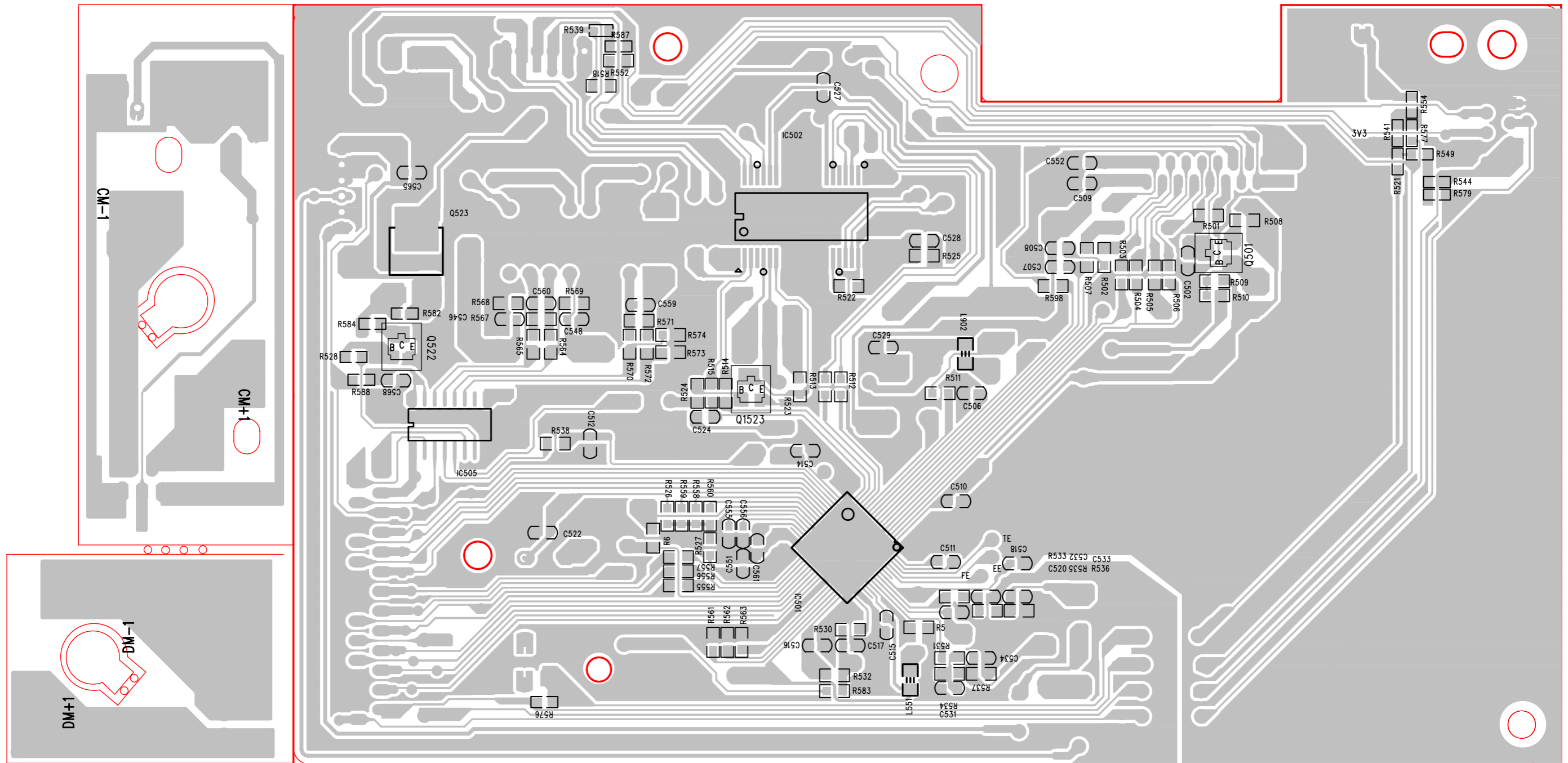
CIRCUIT DIAGRAM - CD BOARD



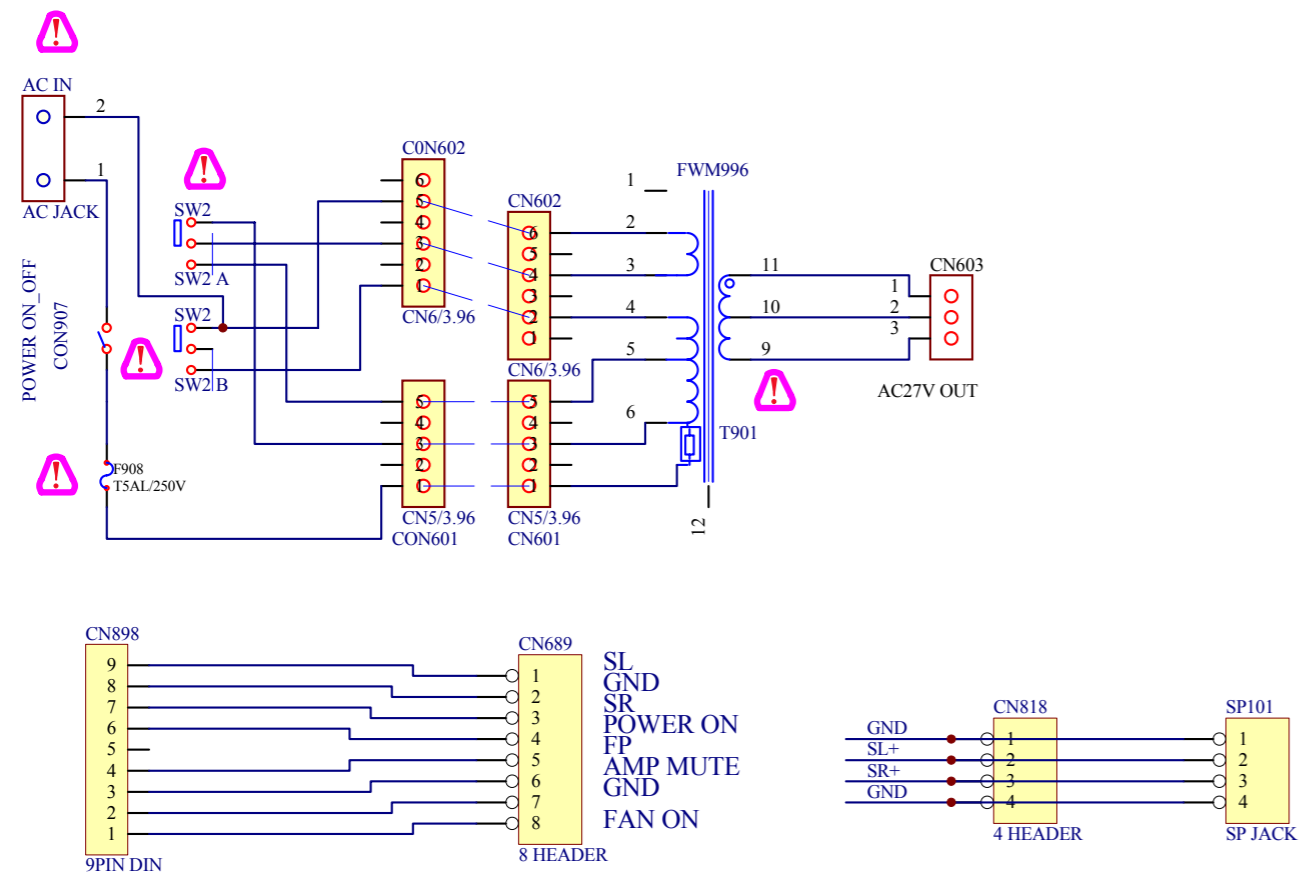
LAYOUT DIAGRAM - CD BOARD
COMPONENT SIDE VIEW



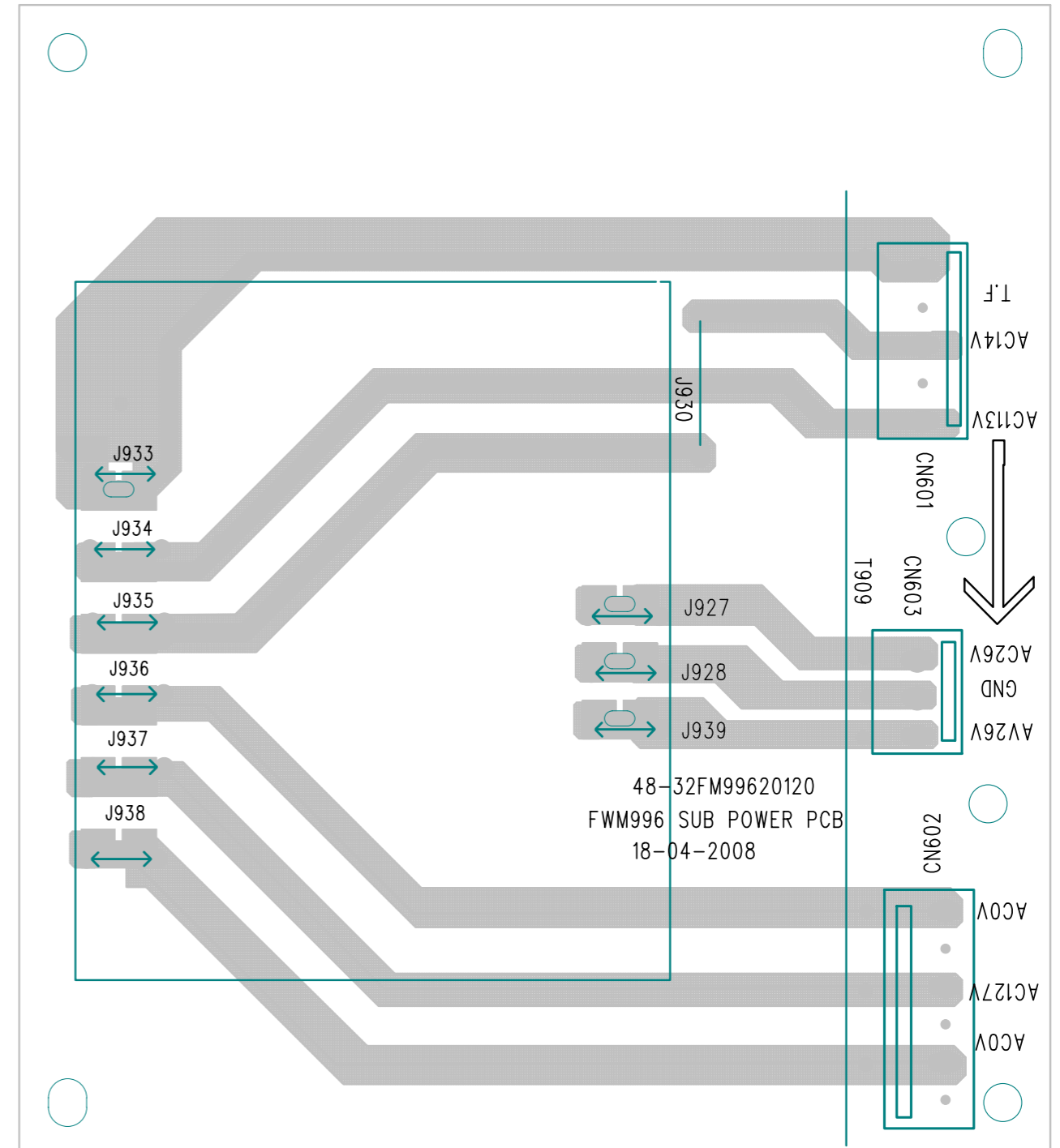
LAYOUT DIAGRAM - CD BOARD
COPPER SIDE VIEW



CIRCUIT DIAGRAM - SUB POWER BOARD
(in subwoofer box)

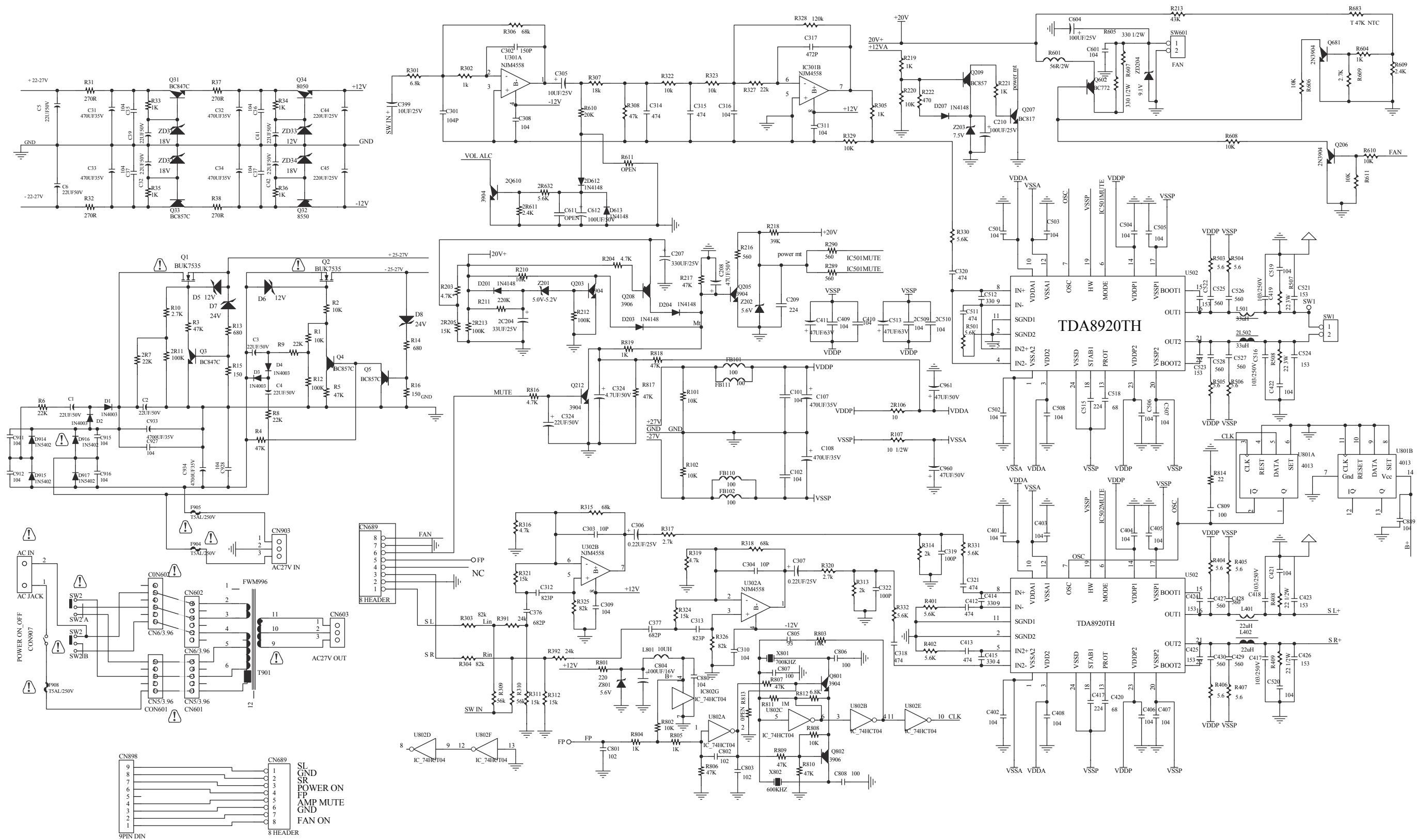


LAYOUT DIAGRAM - SUB POWER BOARD

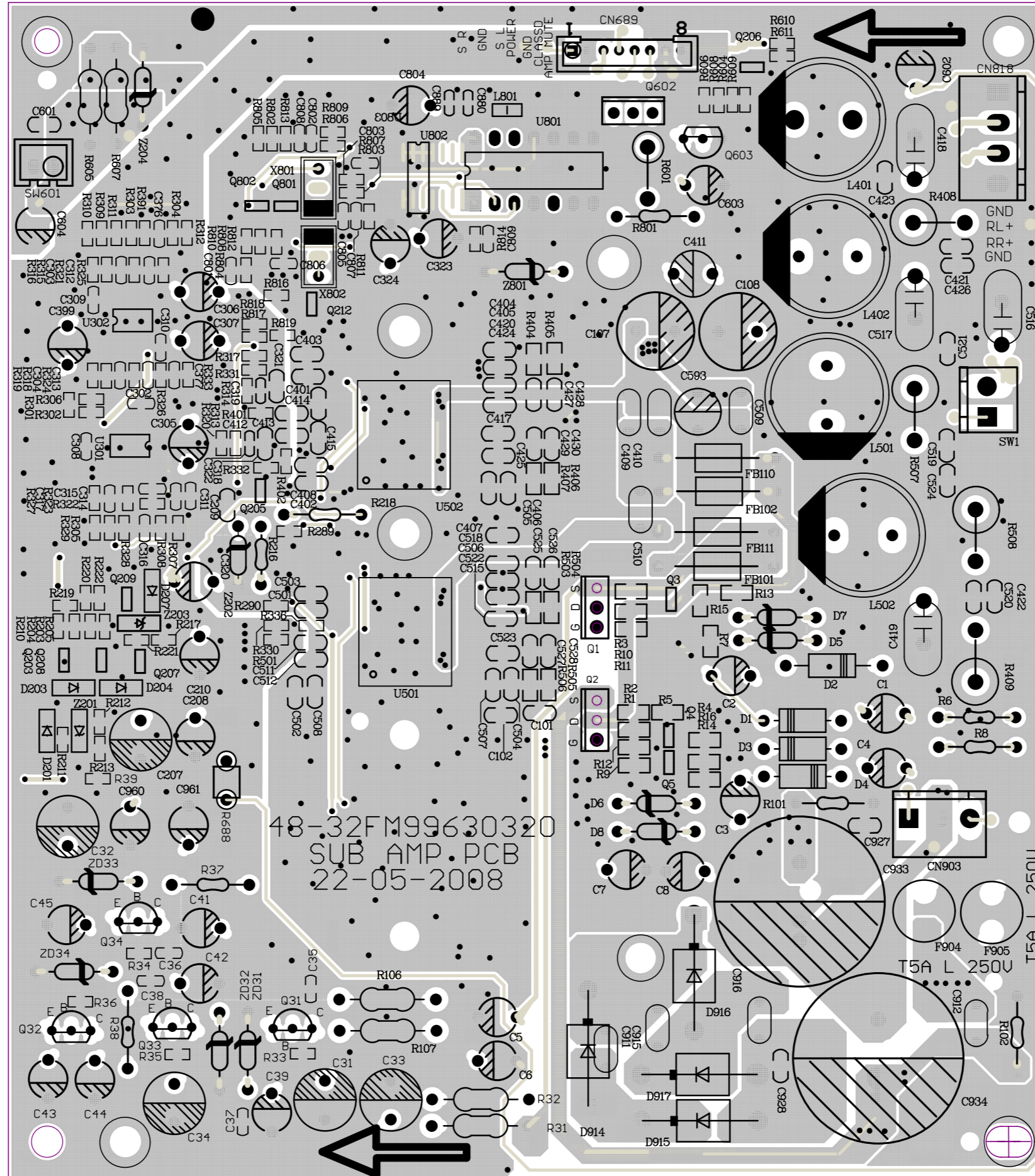


CIRCUIT DIAGRAM - SUB AMP BOARD

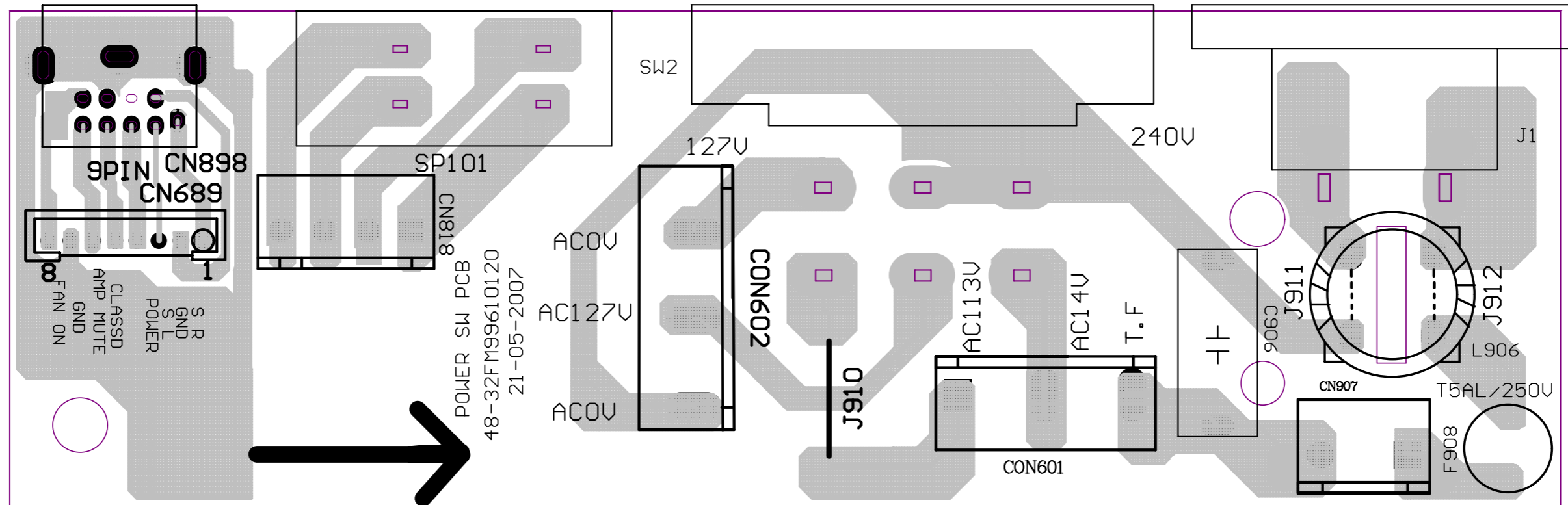
(in subwoofer box)



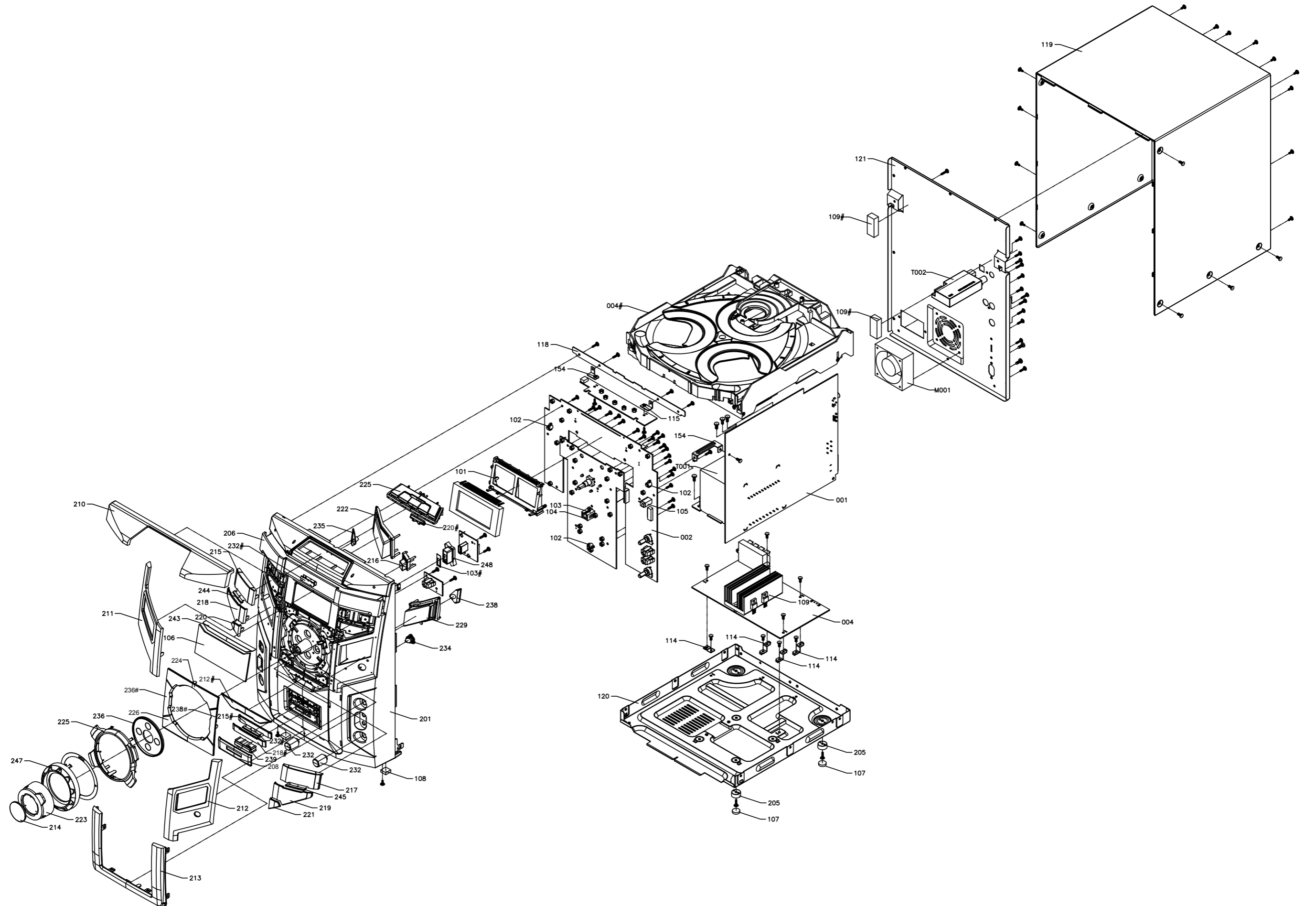
LAYOUT DIAGRAM - SUB AMP BOARD
(in subwoofer box)



LAYOUT DIAGRAM - SUB SW BOARD
(in subwoofer box)



EXPLODED VIEW DIAGRAM



MECHANICAL PARTSLIST

101	996510016093	FTD HOLDER
102	996510016094	LED HOLDER
103	996510016095	LED BRACKET
104	996510016096	LED LIGHT GUIDE
201	996510017809	FRONT CABINET
205	996510016105	FOOT HOLDER
206	996510017810	3CDC DOOR
208	996510017814	MAX SOUND BUTTON
210	996510016109	TOP COVER
211	996510016110	LEFT COVER
212	996510016111	RIGHT COVER
212#	996510017815	USB REC BUTTON
213	996510016112	BOTTOM COVER
214	996510016113	VOL KNOB COVER
215	996510016115	ALBUM BUTTON
215#	996510017816	JAZZ-ROCK BUTTON
216	996510015507	USB DELETE BUTTON
217	996510016116	TITLE BUTTON
218	996510016117	STOP BUTTON
218#	996510017817	TECHNO BUTTON
219	996510016118	PLAY BUTTON
220	996510016119	MODE BUTTON
220#	996510017821	MIDDLE STRAP SOUND BUTTON
221	996510016120	PROGRAM BUTTON
222	996510016121	POWER BUTTON
223	996510016122	VOL KNOB
224	996510017818	IS-VAC BUTTON
225	996510016124	CLUSTER BUTTON
226	996510017819	LIGHT-DISPLAY BUTTON
229	996510016128	DDB BUTTON
229#	996510017813	TOP CD BUTTON
232	996510015510	MIC KNOB
232#	996510017823	MIDDLE STRAP TOP BUTTON
234	996510016131	IR LENS
235	996510016132	POWER LIGHT GUIDE
236	996510016133	VOL LIGHT GUIDE
236#	996510017811	LEFT PANEL AROUND VOL
238	996510016134	DBB LIGHT GUIDE
238#	996510017812	RIGHT PANEL AROUND VOL
239	996510017820	MAX BUTTON LIGHT GUIDE
240	996510000439	PHILIPS LOGO
243	996510017822	DISPLAY TOP BAR
244	996510016139	MIDDLE STRAP L
245	996510016140	MIDDLE STRAP R
247	996510017988	VOL RING
248	996510017989	USB RING
8001	994000004487	16P FFC 1MM L=170MM
8003	994000004457	5P FFC L=200MM(AA)
ACC	△ 996500037714	AC CORD SET VDE/BRAZIL APP 1.8
ACC	△ 994000001692	AC CORD SET BRAZIL APP (BLK) (-/78)
J005	996510015477	26P FFC.1.25mm L=80mm

MECHANICAL PARTSLIST

J013	994000004462	4P FFC 1.25MM L=270MM(AA)
J014	996510016102	9P FFC.1.25mm L=80mm
J015	994000002431	FFC CABLE 10P L=120MM
J018	996500040407	18P FFC 1.25mm L=130mm
T001	△ 996510016098	TRANS EI86xS65 127/240V
82	994000003669	CD MECHANISM (SANYO) DA11VF
004#(1005)	996510018624	3CD MECHANISM PART

ACCESSORIES

RC	996510003974	REMOTE CONTROL
J012	996510012773	9P MINI DIN CABLE L=1.5M
J010	996510016101	AM LOOP ANTENNA
J011	996510009429	FM ANT (GREY) 1.5M CE/75
J012	996510002103	CONN. CORD 3.5 ST/PLUGx2 500mm
SPK01	996510028964	SPK BOX-MAIN (L+R) (-/55)
SPK02	996510028963	SPK BOX-SURROUND (SL+SR)(-/55)
SUB01	996510028962	SUBWOOFER BOX (-/55)
SPK	996510034599	SPK BOX(RED) SPK-SET (-/78)

MECHANICAL PARTSLIST (for subwoofer box-only for -/78)

124	996510014311	PLATE ISULATOR CDC-LC
125	996510014312	DRAWER UT30B-BLACK
126	996510014313	CARROUSEL TORAY
127	996510014314	BUSH DRAWER 3DISC
128	996510014315	BRACKET-DISC
129	996510014316	TUMBLER
130	996510014317	BRACKET-GUIDING
131	996510014318	NALL
132	996510014319	BRACKET LOAD
133	996510014320	GUIDING
134	996510014321	SUPPORT-SANYO-MITSUMI
135	996510014322	COVER-SANYO
136	996510014323	WASHER
137	996510014324	FRAME
138	996510014325	PRESSURE RING-DA11
139	996510014326	CAM
140	996510014327	GEAR-1
141	996510014328	GEAR-2
142	996510014329	GEAR-3
143	996510014330	GEAR-4
144	996510014331	ECCENTRIC
145	996510014332	CONTROL-DISC
146	996510014333	PULLEY-FRAME
147	996510014334	PULLEY-DRAWER
148	996510014335	PULLEY

Note: Only these parts mentioned in the list are normal service parts.

ELECTRICAL PARTSLIST

MAIN BOARD ASSEMBLY

C927	994000001225	SAFETY CAP 275V 0.22UF -20%
CN606	994000001221	V/RCA JACK 2P
CN987	996510017808	9P MINI DIN JACK
F901	⚠ 994000001223	FUSE RADIAL T5A 250V
F902	⚠ 996510002426	CERAMIC FUSE 3.9x10.5mmW
F903	⚠ 996510002426	CERAMIC FUSE 3.9x10.5mmW
IC601	996510005250	IC TDA7468D
IC602	994000001201	IC NJM4556AM
IC603	994000000253	IC (SAMSUNG) KA7808
IC606	994000004549	IC KA7805E
IC607	994000001247	IC HEF4094BT
IC608	994000001247	IC HEF4094BT
IC609	994000001201	IC NJM4556AM
J001	996510014304	AC SOCKET UL APP
Q605	994000004145	TRANSISTORS B772Y (160-320)
Q609	994000004145	TRANSISTORS B772Y (160-320)
R901	994000004472	RESISTORS FUSIBLE 47R 1W +-1%
SW901	994000001323	SWITCH
U901	996510016090	IC AP1117E33L-13

AMP BOARD ASSEMBLY

JSPK2	996510016097	SPK JACK 8P PT-24V11A
U301	996510003980	IC TDA8920(SOT566-3) 2X100W
U302	996510003980	IC TDA8920(SOT566-3) 2X100W
U304	996500042457	IC HEF4013BT
U305	996500042456	IC 74HCT04D SOP14
U308	994000001201	IC NJM4556AM
Y301	996500042460	CERAMIC RESONATOR 600KHz
Y302	996500042461	CERAMIC RESONATOR 700KHz

CD BOARD ASSEMBLY

IC501	996510009311	IC BU9543KV (SMD)
IC502	996510009310	IC BA5826FP
IC505	994000001247	IC HEF4094BT
U532	996510003998	IC TDA7073A/N4
Q1523	996510000317	SMD TRANSISTORS BC817-25
Q501	996510000315	SMD TRANSISTORS BC807-25
Q502	994000001193	TRANSISTORS KSB772YS
Q522	996510000317	SMD TRANSISTORS BC817-25
Q523	996510000992	TRANSISTORS SPD18P06P
SW501	994000004552	DETECT SWITCH
SW502	994000004552	DETECT SWITCH
SW503	994000004552	DETECT SWITCH
SW504	994000004552	DETECT SWITCH
X501	994000004551	CRYSTAL 16.9344MHZ +-20PPM
J001	996510015477	26P FFC. 1.25mm L=80mm

ELECTRICAL PARTSLIST**FRONT BOARD ASSEMBLY**

D909	994000001234	LED LAMP 3MM (RED)
D910	994000001234	LED LAMP 3MM (RED)
D911	994000001234	LED LAMP 3MM (RED)
D912	994000001234	LED LAMP 3MM (RED)
D914	994000001234	LED LAMP 3MM (RED)
D915	994000001234	LED LAMP 3MM (RED)
D919	994000001234	LED LAMP 3MM (RED)
D920	996510017986	LED LAMP 2x5x7mm
D923	994000001234	LED LAMP 3MM (RED)
D924	994000001234	LED LAMP 3MM (RED)
FTD901	996510016092	VFD DISPLAY
P901	994000000325	OPTIC SENSER (OPTO..)
SW901	994000001243	TACT SWITCH
SW902	994000001243	TACT SWITCH
SW903	994000001243	TACT SWITCH
SW904	994000001243	TACT SWITCH
SW905	994000001243	TACT SWITCH
SW906	994000001243	TACT SWITCH
SW907	994000001243	TACT SWITCH
SW908	994000001243	TACT SWITCH
SW909	994000001243	TACT SWITCH
SW910	994000001243	TACT SWITCH
SW911	994000001243	TACT SWITCH
SW912	994000001243	TACT SWITCH
SW913	994000001243	TACT SWITCH
SW914	994000001243	TACT SWITCH
SW915	994000001243	TACT SWITCH
SW916	994000001243	TACT SWITCH
SW917	994000001243	TACT SWITCH
SW918	994000001243	TACT SWITCH
SW919	994000001243	TACT SWITCH
SW920	994000001243	TACT SWITCH
SW921	994000001243	TACT SWITCH
SW922	994000001243	TACT SWITCH
SW923	994000001243	TACT SWITCH
SW924	994000001243	TACT SWITCH
SW925	994000001243	TACT SWITCH
SW926	994000001243	TACT SWITCH
SW927	994000001243	TACT SWITCH
SW928	994000001243	TACT SWITCH
SW929	994000001243	TACT SWITCH
SW930	994000001243	TACT SWITCH
U901	996510016091	IC PT6324
U902	996510003985	IC ECHO PROCESSOR PT2399S
U903	996510003984	IC CYT78L05 (TO-92)
VR901	996510006586	ROTARY VOLUME F-122KGP B50K L
VR902	996510003986	ROTARY VOLUME
VR903	994000001241	ROTARY ENCODER

ELECTRICAL PARTSLIST**MCU BOARD ASSEMBLY**

102	996510014310	MAGNET 27x16x4mm 546g
8001	994000004487	16P FFC 1MM L=170MM
8002	996510001327	23P FFC 1.25mm L80mm
8003	994000004457	5P FFC L=200MM(AA)
IC101	996510015478	IC BX8800
IC102	996510009337	IC SST39VF800A-70 8M 3.3V TSOP
IC103	996510001318	IC 74LVC157APW
IC104	996510003990	IC SDRAM M12L16161A-7T
IC105	996510003993	IC V809R
IC106	996510015480	IC WM8782SEDS
IC107	996510009335	IC LM1117S-1.8V SOT-223
IC108	996510015479	IC 74LVC2G04GW
IC191	996510015481	IC HT1381
Q101	994000003937	SMD TRANSISTORS PMBT3906
Q102	996510010292	SMD TRANSISTORS MMBT3904
X101	996510008326	CRYSTAL 12 MHzHC-49/US H=3.5mm
X102	996510015482	CRYSTAL 11.2896MHz
X191	994000004615	CRYSTAL 32.768KHZ 12.5PF

SUB AMP BOARD ASSY(in subwoofer box)

F904	△ 994000001962	FUSE RADIAL T5A 250V
F905	△ 994000001962	FUSE RADIAL T5A 250V
F908	△ 994000001962	FUSE RADIAL T5A 250V
J1	996510014304	AC SOCKET UL APP
SW2	994000001323	SWITCH
U301	996500039809	IC YD4558
U302	996500039809	IC YD4558
U501	996510003980	IC TDA8920(SOT566-3) 2X100W
U502	996510003980	IC TDA8920(SOT566-3) 2X100W
U801	996510017975	IC TC4013BP
U802	996500042456	IC 74HCT04D SOP14

SUB SW BOARD ASSY(in subwoofer box)

CN898	996510017977	D-S TERMINAL
F908	△ 994000001962	FUSE RADIAL T5A 250V
J1	996510014304	AC SOCKET UL APP
SP101	996510017976	SPK JACK PT-22V11D
SW2	994000001323	SWITCH

SUB POWER BOARD ASSY(in subwoofer box)

J002	996510012773	9P MINI DIN CABLE L=1.5M
T001	△ 996510017807	TRANSFORMER AC127 240V

Note: Only these parts mentioned in the list are normal service parts.

REVISION LIST

Version 1.0 (3141 785 32990)

* Initial Release

Version 1.1 (3141 785 32991)

* Add -/55;

* P13-2 is revised;Change AC cord for /78;P13-3 is revised. Change speaker for /78; (3/15/2010)